

String Furniture News 2021





Cabinet with swing door

The cabinet with swing door is available in one width, 58 cm, and one depth, 30 cm. The cabinet fits together with all 30 cm deep wire and plex panels from String® System. It is visually pleasing to add a bolder element to your shelf, like a cabinet, which also give you a lot of extra storage. The door can be mounted on either side of the cabinet.

About the designer – String Furniture

For a number of years, the production of String® was non-existing. The years passed by and it was not until 2004 the brand revived. It was during this time String®, as we know the brand today, took form. The assortment was carefully revised and new features for the shelving system were designed and developed. The updated and now modern shelving system was here to stay! Over a night, String® was once again considered an obvious part of the timeless Scandinavian design style.

Product dimensions

W: 58 cm, H: 42 cm, D: 30 cm.

Package dimensions

W: 60,8 cm, H: 8,6 cm, D: 40,2 cm.

Weight: 11,25 kg.

Transported flat-packed, assembly needed.

Weight recommendation

25 kg evenly spread across the furniture.

Materials and colors

Lacquered MDF or veneered particleboard.

Production

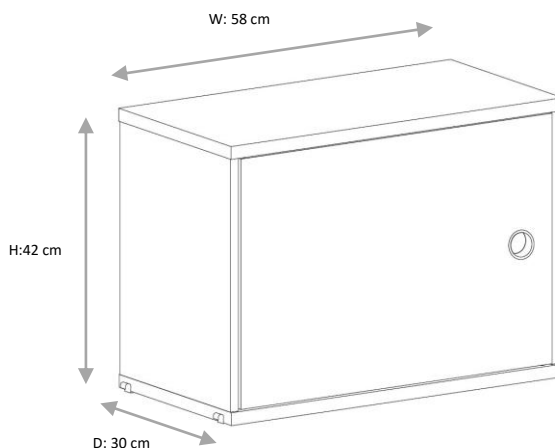
Made in Sweden.

Sustainability

The product is made from the renewable and recyclable material wood. The brackets are made from zinc and the handle is made from stainless steel, which can both be recycled. The product can be de-assembled and recycled according to the component's right material.

Care and maintenance

Wipe the surface with a cloth. Damp wipe with detergent solution. Then rub dry with a cloth. Remove stains with detergents that do not contain abrasives. Never use steel wool.



	White NCS S 0500-N
	Grey NCS S 4500-N
	Beige NCS S 3005-Y20R
	Ash
	Oak
	Walnut
	Blackstained ash

Cabinet with swing door

..by String Furniture





Cork bottle tray

The bottle tray in cork is part of our range of accessories and fits together with 30 cm deep metal shelves from String® System. By adding a bottle tray to your kitchen combination, you will always know where to find your wine and oil bottles. A metal shelf with width 58 cm can fit three bottle trays and a metal shelf with width 78 cm can fit four.

About the designers – Anna von Schewen and Björn Dahlström

Architect and designer Anna von Schewen is considered one of Sweden's most progressive and experimental designers. She has, together with her companion Björn Dahlström, designed several products for String Furniture. Björn Dahlström is a well-established Swedish designer and industrial designer. He is represented in various museums around the world, including the national Museum for Art, Architecture and Design in Oslo, The Museum of Design & Craft (The Röhsska Museum) in Gothenburg and Victoria & Albert Museum in London.

Product dimensions

W: 19,3 cm, H: 1,85 cm, D: 29,6 cm.

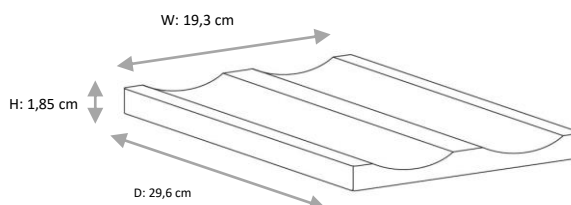
Package dimensions

W: 19,5 cm, H: 3,9 cm, D: 29,8 cm.

Weight: 0,45 kg.

Transported flat-packed.

Sold in a 2-pack.



Weight recommendation

N/A.

Materials and colors

Cork.



Production

Made in China, packed in Sweden.

Sustainability

The product is made from the renewable and recyclable material cork.

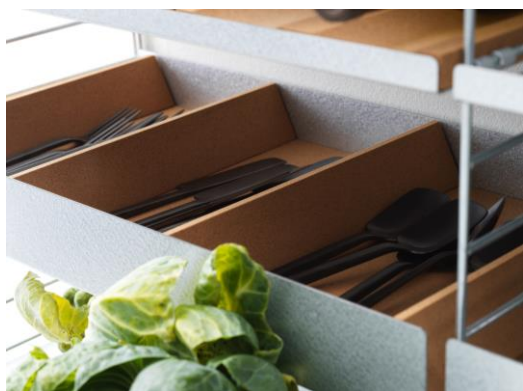
Care and maintenance

Wipe the surface with a cloth. Damp wipe with lukewarm water. If necessary, use a mild cleanser solution (pH-neutral 7-8). Put the liquid on the cloth and not on the furniture surface. Make sure to always wipe dry with a clean cloth.

Cork bottle tray

..by String Furniture





Cork divider

The divider in cork is part of our range of accessories and is a great help in the kitchen. Place them on top of the underlays in cork to create separate compartments on your metal shelves.

About the designers – Anna von Schewen and Björn Dahlström

Architect and designer Anna von Schewen is considered one of Sweden's most progressive and experimental designers. She has, together with her companion Björn Dahlström, designed several products for String Furniture. Björn Dahlström is a well-established Swedish designer and industrial designer. He is represented in various museums around the world, including the national Museum for Art, Architecture and Design in Oslo, The Museum of Design & Craft (The Röhsska Museum) in Gothenburg and Victoria & Albert Museum in London.

Product dimensions

W: 5,3 cm, H: 1,85 cm, D: 29,6 cm.

Package dimensions

W: 15,2 cm, H: 5 cm, D: 29,6 cm.

Weight: 0,63 kg.

Transported flat-packed.

Sold in a 4-pack.

Weight recommendation

N/A.

Materials and colors

Cork.

Production

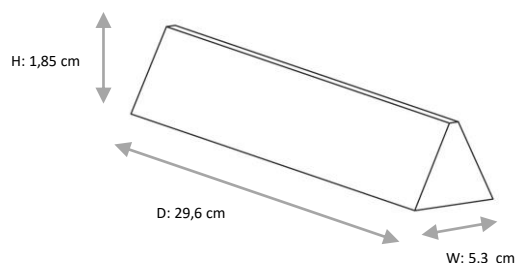
Made in China, packed in Sweden.

Sustainability

The product is made from the renewable and recyclable material cork.

Care and maintenance

Wipe the surface with a cloth. Damp wipe with lukewarm water. If necessary, use a mild cleanser solution (pH-neutral 7-8). Put the liquid on the cloth and not on the furniture surface. Make sure to always wipe dry with a clean cloth.







Cork underlay

The underlays are a great kitchen help since you can place hot pots and pans without leaving any marks on your shelf. Combine the underlays with our dividers to make it easier to organize cutlery and other kitchen utensils. You will fit three underlays on a 58 cm wide metal shelf and four on a 78 cm wide metal shelf.

About the designers – Anna von Schewen and Björn Dahlström

Architect and designer Anna von Schewen is considered one of Sweden's most progressive and experimental designers. She has, together with her companion Björn Dahlström, designed several products for String Furniture. Björn Dahlström is a well-established Swedish designer and industrial designer. He is represented in various museums around the world, including the national Museum for Art, Architecture and Design in Oslo, The Museum of Design & Craft (The Röhsska Museum) in Gothenburg and Victoria & Albert Museum in London.

Product dimensions

W: 19,3 cm, H: 1,85 cm, D: 29,6 cm.

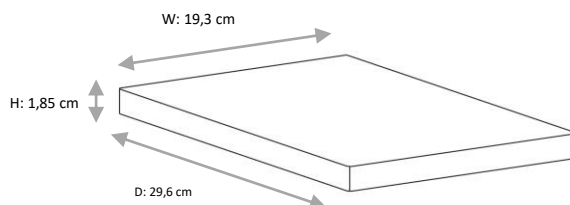
Package dimensions

W: 15,2 cm, H: 5 cm, D: 29,6 cm.

Weight: 0,6 kg.

Transported flat-packed.

Sold in a 2-pack.



Weight recommendation

N/A

Materials and colors

Cork.



Production

Made in China, packed in Sweden.

Sustainability

The product is made from the renewable and recyclable material cork.

Care and maintenance

Wipe the surface with a cloth. Damp wipe with lukewarm water. If necessary, use a mild cleanser solution (pH-neutral 7-8). Put the liquid on the cloth and not on the furniture surface. Make sure to always wipe dry with a clean cloth.





Free-standing shelf - galvanized

The free standing shelf intended for outdoor use from String® System fits equally well on a smaller balcony as on a larger terrace. The shelf is completely free standing but, if desired, can be secured to the base it is standing on. A complete section of the free standing shelf consists of one back panel, two uprights and two galvanized floor panels with height 85 cm and depth 30 cm.

About the designers – Anna von Schewen and Björn Dahlström

Architect and designer Anna von Schewen is considered one of Sweden's most progressive and experimental designers. She has, together with her companion Björn Dahlström, designed several products for String Furniture. Björn Dahlström is a well-established Swedish designer and industrial designer. He is represented in various museums around the world, including the national Museum for Art, Architecture and Design in Oslo, The Museum of Design & Craft (The Röhsska Museum) in Gothenburg and Victoria & Albert Museum in London.

Product dimensions

Upright: Ø 2 cm, H: 87 cm.

Back panel: W: 58 cm, H: 36 cm.

Small vertical hook: H: 10 cm, D: 3,5 cm.

Big vertical hook: W: 4,5 cm, H: 10 cm, D: 12 cm.

Package dimensions

Upright: W: 3,1 cm, H: 870 cm, D: 3,1 cm.

Back panel: W: 59,2 cm, H: 1 cm, D: 36 cm.

Small vertical hook: TBA.

Big vertical hook: TBA.

Assembly needed.

Materials and colors

Upright in galvanized steel, with an adjustable foot in stainless steel.

Back panel in Aluzinc steel.

Vertical hooks in stainless steel.

Production

Made in Sweden.

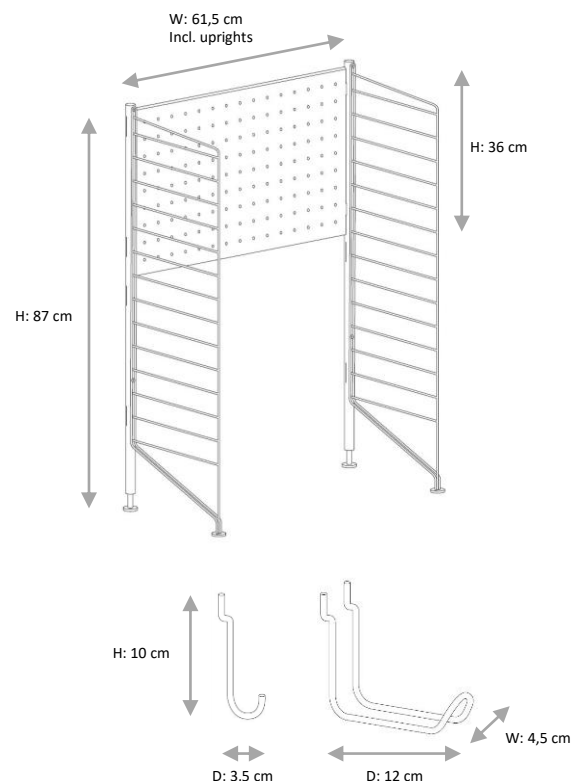
Sustainability

The products are made from steel and can be recycled.

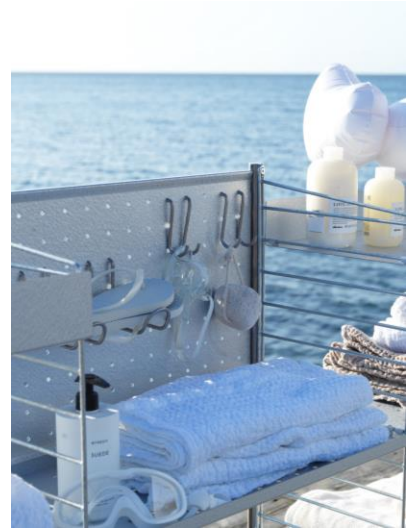
Care and maintenance

Wipe the surface with a cloth. Damp wipe with detergent solution. Then rub dry with a cloth.

Remove stains with detergents that do not contain abrasives. Never use steel wool.



- Upright and back panel in galvanized steel
- Vertical hooks in stainless steel





Media shelf

The media shelf is produced to give the vinyl record player a designated spot. It is designed to help you organize all cords and cables by letting them disappear behind the shelf without the risk of getting pinched between the wall and shelf. The media shelf can easily be turned into a workspace, or why not a drink table.

About the designers – Anna von Schewen and Björn Dahlström

Architect and designer Anna von Schewen is considered one of Sweden's most progressive and experimental designers. She has, together with her companion Björn Dahlström, designed several products for String Furniture. Björn Dahlström is a well-established Swedish designer and industrial designer. He is represented in various museums around the world, including the national Museum for Art, Architecture and Design in Oslo, The Museum of Design & Craft (The Röhsska Museum) in Gothenburg and Victoria & Albert Museum in London.

Product dimensions

W: 58 cm, H: 10 cm, D: 47 cm.

Package dimensions

W: 61,3 cm, H: 4 cm, D: 50 cm.

Weight: 5,56 kg.

Transported flat-packed, assembly needed.

Weight recommendation

25 kg evenly spread across the shelf.

Materials and colors

Lacquered MDF – fine textured.

Production

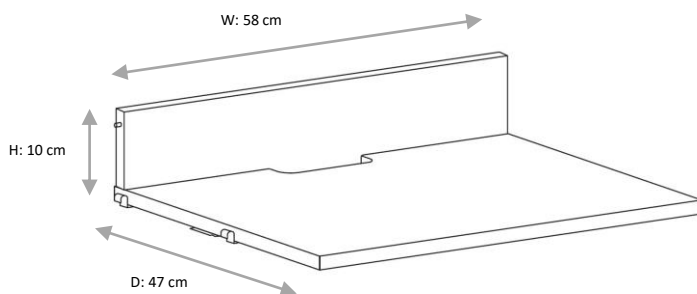
Made in Sweden.

Sustainability

The product is made from the renewable and recyclable material wood. The brackets are made from zinc and can be recycled. The product can be de-assembled and recycled according to the component's right material.

Care and maintenance

Wipe the surface with a cloth. Damp wipe with detergent solution. Then rub dry with a cloth. Remove stains with detergents that do not contain abrasives. Never use steel wool.



White fine texture NCS S 0500-N



Anthracite fine texture NCS S 7500-N





Plate rack

The plate racks are created to offer a complete kitchen solution. Position the plates either sideways or facing forward. Our plate rack can house more than plates, for instance cutting boards or trays. It will be available in two depths, 30 cm and 20 cm, and sold in a 2-pack.

About the designers – Anna von Schewen and Björn Dahlström

Architect and designer Anna von Schewen is considered one of Sweden's most progressive and experimental designers. She has, together with her companion Björn Dahlström, designed several products for String Furniture. Björn Dahlström is a well-established Swedish designer and industrial designer. He is represented in various museums around the world, including the national Museum for Art, Architecture and Design in Oslo, The Museum of Design & Craft (The Röhsska Museum) in Gothenburg and Victoria & Albert Museum in London.

Product dimensions

30 cm, room for 8 plates - W: 2,5 cm, H: 7,7 cm, D: 29 cm.

20 cm, room for 6 plates - W: 2,5 cm, H: 7,7 cm, D: 19 cm.

Package dimensions

20 cm – W: 19,8 cm, H: 2,5 cm, D: 9,5 cm.

Weight: 0,52 kg.

30 cm – W: 29,8 cm, H: 2,5 cm, D: 9,5 cm.

Weight: 0,74 kg.

Assembly needed.

Weight recommendation

N/A.

Materials and colors

Powder coated aluminum and steel, fine textured coating.

Production

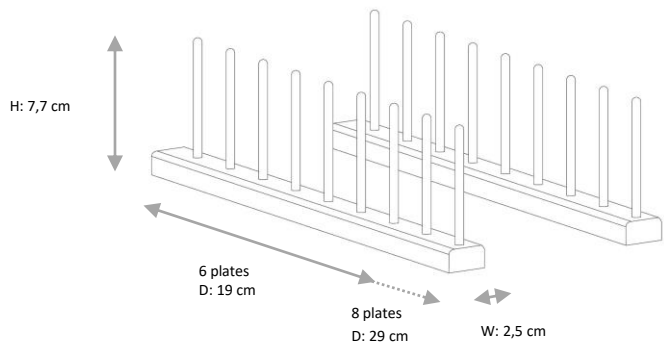
Made in China, lacquered and packed in Sweden.

Sustainability

The product are made of aluminum and steel, which can both be recycled.

Care and maintenance

Wipe the surface with a cloth. Damp wipe with detergent solution. Then rub dry with a cloth. Remove stains with detergents that do not contain abrasives. Never use steel wool.






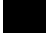
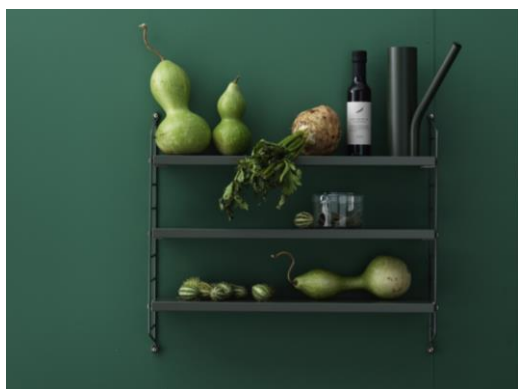
	White RAL 9016
	Grey RAL 7004
	Beige NCS S 3005-Y20R
	Black RAL 9005

Plate rack

..by String Furniture





String® Pocket Sage

String® Pocket is sold as a complete shelf but is equally flexible as String® System. In 2021 we introduce the new color Sage to our collection String® Pocket. For String® Pocket Sage you will find the panels in a fine texture coating.

About the designers – Nisse and Kajsa Strinning

Nisse Strinning, designer of the String® System, was a Swedish architect born in 1917 in the northern part of Sweden. Nisse designed the first String® shelf in 1949 with great help of his wife, Kajsa Strinning. Everything came about when the Swedish publishing house, Bonniers, announced a competition where they were looking for the perfect shelf. High in functionality, modern looking and with fair pricing. String® was selected winner and has been considered a classic Swedish design icon for decades.

Product dimensions

W: 60 cm, H: 50 cm, D: 15 cm.

Package dimensions

W: 62 cm, H: 9 cm, D: 17 cm.

Weight: 4,5 kg.

Transported flat-packed, assembly needed.

Weight recommendation

25 kg evenly spread across the shelf.

Materials and colors

Panels in powder coated steel, fine textured coating.
Shelves in either veneer or lacquer. Brackets in zinc.

Production

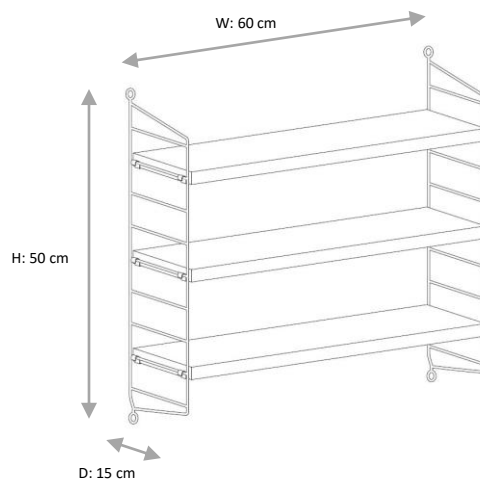
Made in Sweden.

Sustainability

The panels are made from powder coated steel and can be recycled. The shelves are made from the renewable and recyclable material wood. The brackets are made from zinc and can be recycled. The shelf can be de-assembled and separated according to the component's material.

Care and maintenance

Wipe the surface with a cloth. Damp wipe with detergent solution. Then rub dry with a cloth. Remove stains with detergents that do not contain abrasives. Never use steel wool.



Sage RAL 7009





Works™ Table frame

The height of the fixed table frame from Works™ is adjustable with 1 cm. The table frame's height is 72.5 cm, including the work desk. It fits to all work desks.

About the designers – Anna von Schewen and Björn Dahlström

Architect and designer Anna von Schewen is considered one of Sweden's most progressive and experimental designers. She has, together with her companion Björn Dahlström, designed several products for String Furniture. Björn Dahlström is a well-established Swedish designer and industrial designer. He is represented in various museums around the world, including the national Museum for Art, Architecture and Design in Oslo, The Museum of Design & Craft (The Röhsska Museum) in Gothenburg and Victoria & Albert Museum in London.

Product dimensions

Height including tabletop 71,5-72,5 cm.

Height excluding tabletop 69,5-70,5 cm.

The table frame has a foot that enables +1 cm adjustability.

Desktop options 120x78 cm / 140x78 cm / 160x78 cm / 180x90 cm.

Not available together with extension.

Package dimensions

W: 77 cm, H: 26 cm, D: 64 cm.

Weight: 25,2 kg.

Transported flat-packed, assembly needed.

Weight recommendation

60 kg evenly spread across the desktop.

Materials and colors

Table frame in white powder coated steel.

Production

Made in Sweden and Latvia.

Sustainability

The table frame is made from powder coated steel and can be recycled.

Care and maintenance

Wipe the surface with a cloth. Damp wipe with detergent solution. Then rub dry with a cloth. Remove stains with detergents that do not contain abrasives. Never use steel wool.

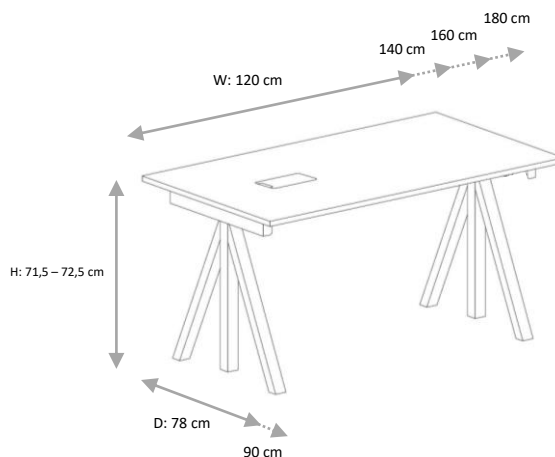


Table frame color



White RAL 9016

Works™ Table frame

..by String Furniture





Cell shelf

Cell is an award-winning shelving system with a high-tech construction and elegant design. The cell shelf is just as suitable for books as displaying artwork. The cell shelf is sold as complete units where each section contains seven shelves (including the top shelf) and two wires. Always start with an A-section and then add the desired number of B-sections to the right of the A-section.

About the designer – Peter Cohen

Peter Cohen is a Swedish furniture designer, writer and film director. He made the Cell shelf in 2005 and got an award for it as “This year's furniture” in 2007. He is represented at the Swedish National Museum in Stockholm.

Product dimensions

A-section – W: 52 cm, H: 190 cm, D: 18 cm.

B-section – W: 50 cm, H: 190 cm, D: 18 cm.

Package dimensions

A-section - W: 56 cm, H: 28 cm, D: 24,5 cm.

Weight: 15,85 kg.

B-section - W: 56 cm, H: 28 cm, D: 24,5 cm.

Weight: 15,05 kg.

Transported flat-packed, assembly needed.

Weight recommendation

20 kg evenly spread across one shelf.

Materials and colors

Shelves in white laminate and powder coated steel.

Wires in steel with casted zinc bullets.

Production

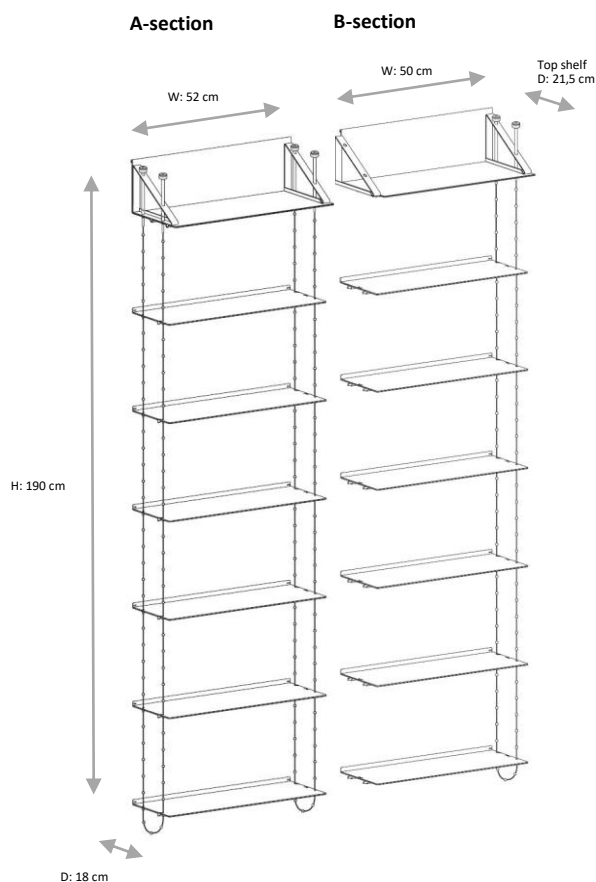
Made in Sweden.

Sustainability

The shelves are made from powder coated steel and can be recycled. The attached laminate is a wood-based material with a decorating paper. The wires are made from zinc and steel and can be recycled. The shelf can be de-assembled and separated according to the component's material.

Care and maintenance

Wipe the surface with a cloth. Damp wipe with detergent solution. Then rub dry with a cloth. Remove stains with detergents that do not contain abrasives. Never use steel wool.



 White RAL 9010

Cell shelf

..by String Furniture





Organizers

Let the organizers spark your creativity. Keep your pens in one of them, rulers in the other and why not plant something in the third. They are also a great help in the kitchen since they can store your kitchen utensils. The organizers are made of biocomposite material containing 40% wood fibres.

About the designers – Anna von Schewen and Björn Dahlström

Architect and designer Anna von Schewen is considered one of Sweden's most progressive and experimental designers. She has, together with her companion Björn Dahlström, designed several products for String Furniture. Björn Dahlström is a well-established Swedish designer and industrial designer. He is represented in various museums around the world, including the national Museum for Art, Architecture and Design in Oslo, The Museum of Design & Craft (The Röhsska Museum) in Gothenburg and Victoria & Albert Museum in London.

Product dimensions

Tall - W: 9 cm, H: 12 cm, D: 7 cm.

Small - W: 12 cm, H: 8 cm, D: 7 cm.

Big - W: 20 cm, H: 8 cm, D: 7 cm.

Package dimensions

W: 10 cm, H: 15 cm, D: 23 cm.

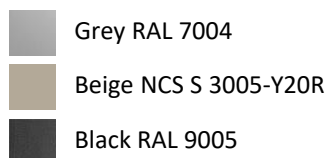
Weight: 0,5 kg.

Weight recommendation

N/A.

Materials and colors

Bio-composite material composed of a polypropene plastic and wood fibers.



Production

Made in Sweden.

Sustainability

The product are made from a bio-composite plastic with 40% wood fiber. The product can be recycled.

Care and maintenance

Wipe the surface with a cloth. Damp wipe with detergent solution. Then rub dry with a cloth.

Remove stains with detergents that do not contain abrasives. Never use steel wool.





J-hook

The J hooks are created to optimize a shelving combination and fit together with the metal shelves. The J-hooks help you to keep your outerwear and backpack in order, or why not use them to display something more decorative like a hanging pot.

About the designers – Anna von Schewen and Björn Dahlström

Architect and designer Anna von Schewen is considered one of Sweden's most progressive and experimental designers. She has, together with her companion Björn Dahlström, designed several products for String Furniture. Björn Dahlström is a well-established Swedish designer and industrial designer. He is represented in various museums around the world, including the national Museum for Art, Architecture and Design in Oslo, The Museum of Design & Craft (The Röhsska Museum) in Gothenburg and Victoria & Albert Museum in London.

Product dimensions

Ø 0,5 cm, H: 8 cm, W: 4 cm.

Package dimensions

W: 5 cm, H: 13 cm, D: 17 cm.

Weight: 0,2 kg.

Sold in 5-pack.

Weight recommendation

N/A.

Materials and colors

Powder coated steel – fine textured coating.

Production

Made in Sweden.

Sustainability

The hooks are made from powder coated steel and can be recycled.

Care and maintenance

Wipe the surface with a cloth. Damp wipe with detergent solution. Then rub dry with a cloth. Remove stains with detergents that do not contain abrasives. Never use steel wool.

