
TABLES

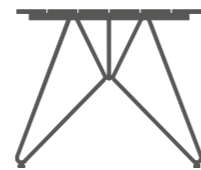
OUTDOOR DINING & LOUNGE

Combinations of powder coated steel or aluminum, bamboo and Danish household plastic waste create a collection of well-designed outdoor dining tables which all complement HOUE dining chairs perfectly.

In the design process, a lot of effort is put into form and shape to create tables, that not only please the eye but also provide optimal stability and functionality.

Designed by Henrik Pedersen

NAMI designed by Hans Thyge & Co.



HOUE



2 year
warranty



uv
protected



weather
resistant



EN581 for
SKETCH and
FOUR



TABLES

DINING SPECIFICATIONS

Powder coated grey or black legs/frame in steel or aluminum

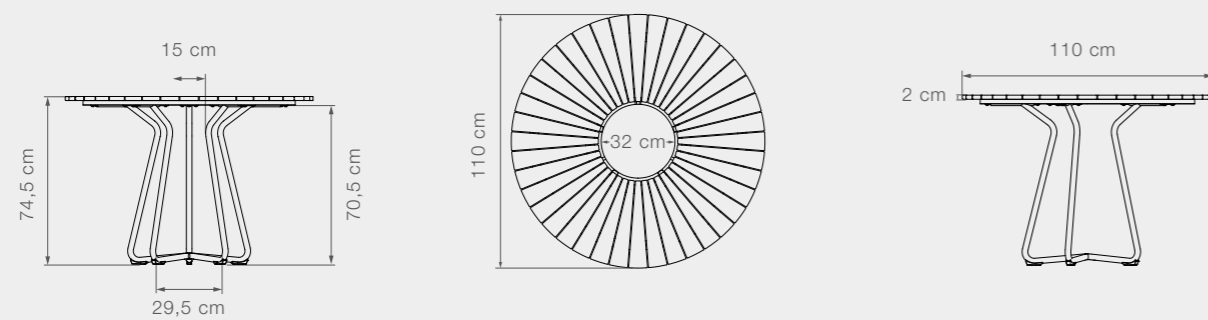
Bamboo, aluminum or Danish household plastic waste tabletop

Granite

Maintenance: Oil / Repair lacquer

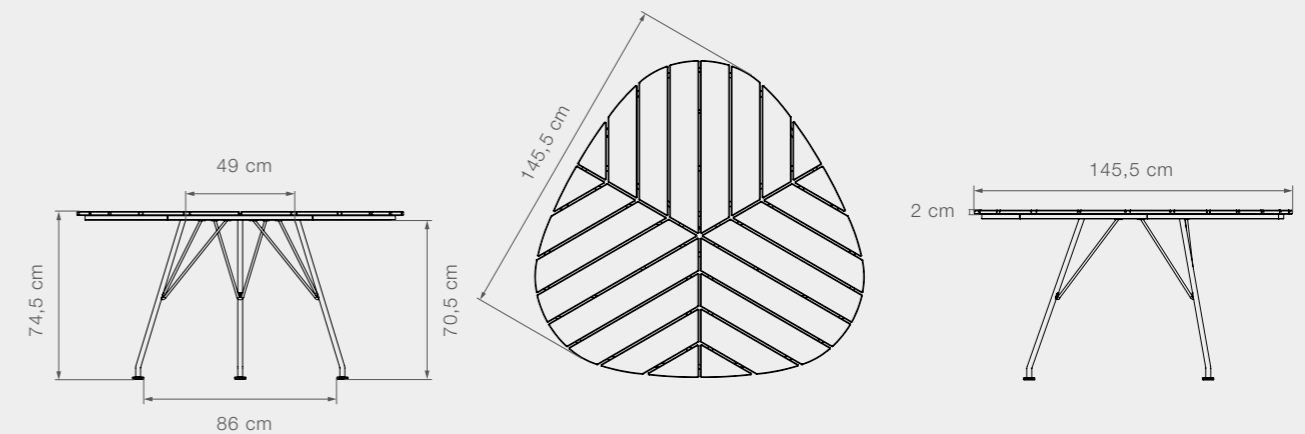
*TT = TableTop

11005 CIRCLE Dining table



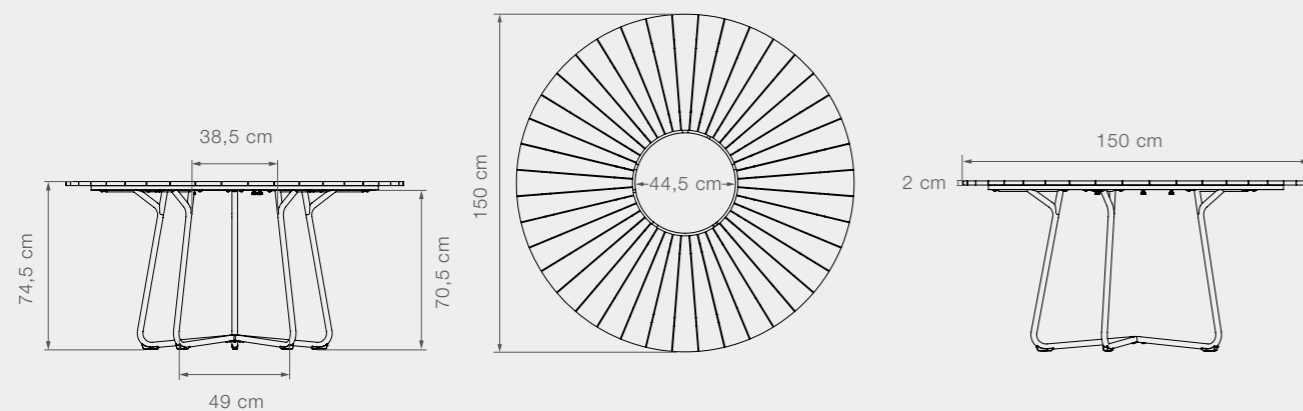
Product weight	21,5 kg // 47,4 lbs	Width	Ø110 cm // 43,3 in	Height under TT*	70,5 cm // 27,8 in	Space legs top	15 cm // 5,9 in
Tube size	Ø25 mm // 1 in	Depth	Ø110 cm // 43,3 in	TT* thickness	2 cm // 0,8 in	Granite stone	Ø32 cm // 12,6 in
Slats used	40 pcs	Height	74,5 cm // 29,3 in	Space legs floor	29,5 cm // 11,6 in	Diameter	110 cm // 43,3 in

11601 LEAF Dining table



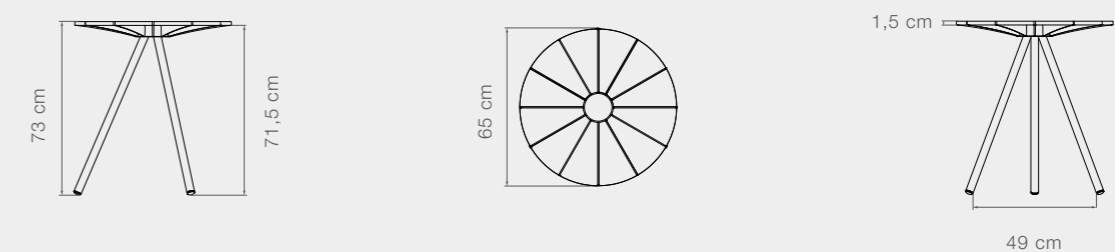
Product weight	30,4 kg // 67 lbs	Width	145,5 cm // 57,3 in	Height under TT*	70,5 cm // 27,8 in	Space legs top	49 cm // 19,3 in
Tube size	Ø10/22 mm // 0,4/0,9 in	Depth	145,5 cm // 57,3 in	TT* thickness	2 cm // 0,8 in	Diameter	155 cm // 61 in
Slats used	24 pcs	Height	74,5 cm // 29,3 in	Space legs floor	86 cm // 33,9 in		

11006 CIRCLE Dining table



Product weight	38,8 kg // 85,5 lbs	Width	Ø150 cm // 59,1 in	Height under TT*	70,5 cm // 27,8 in	Space legs top	38,5 cm // 15,2 in
Tube size	Ø25 mm // 1 in	Depth	Ø150 cm // 59,1 in	TT* thickness	2 cm // 0,8 in	Granite stone	Ø44,5 cm // 17,5 in
Slats used	40 pcs	Height	74,5 cm // 29,3 in	Space legs floor	49 cm // 19,3 in	Diameter	150 cm // 59,1 in

23850 NAMI Café table



Product weight	5,7 kg // 12,6 lbs	Width	Ø65 cm // 25,6 in	Height under TT*	71,5 cm // 28,1 in	Diameter	65 cm // 25,6 in
Tube size	Ø30 mm // 1,2 in	Depth	Ø65 cm // 25,6 in	TT* thickness	1,5 cm // 0,6 in		
Slats used	N/A	Height	73 cm // 28,7 in	Space legs floor	49 cm // 19,3 in		

TABLES

DINING SPECIFICATIONS

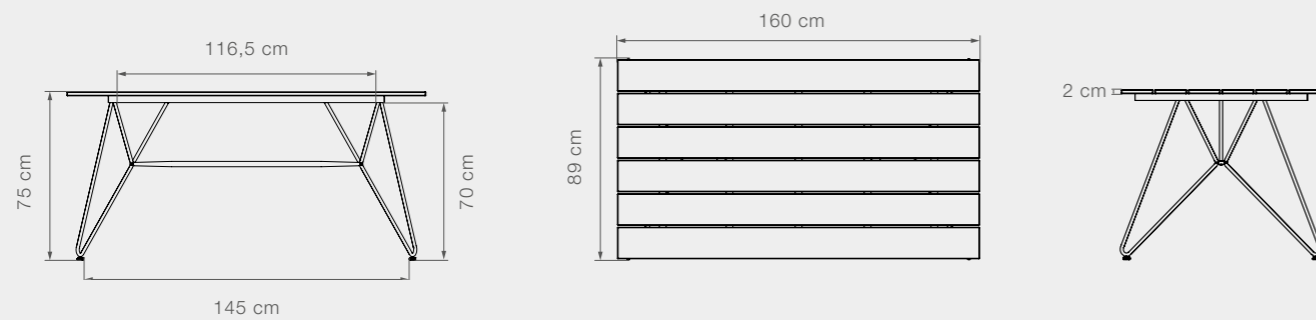
Powder coated grey or black legs/frame in steel or aluminum

Bamboo or aluminum tabletop

Maintenance: Oil / Repair lacquer

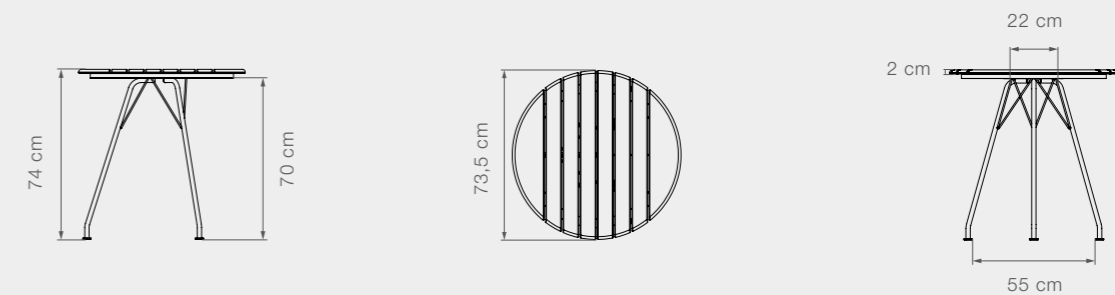
*TT = TableTop

10705 SKETCH Dining table



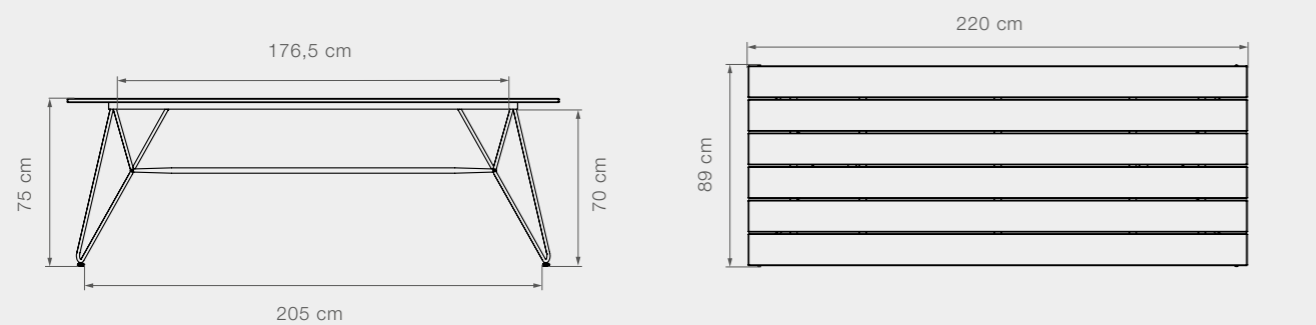
Product weight	35,5 kg // 78,3 lbs	Width	89 cm // 35 in	Height under TT*	70 cm // 27,6 in	Space legs top	116,5 cm // 45,9 in
Tube size	Ø14/24 mm // 0,6/0,9 in	Length	160 cm // 63 in	TT* thickness	2 cm // 0,8 in	Diameter	N/A
Slats used	6 pcs	Height	75 cm // 29,5 in	Space legs floor	145 cm // 57,1 in		

12831 CIRCUM Café table



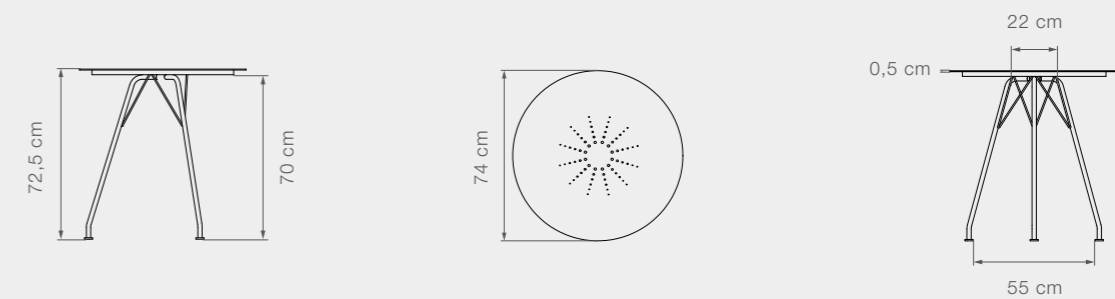
Product weight	10,5 kg // 23,2 lbs	Width	Ø73,5 cm // 28,9 in	Height under TT*	70 cm // 27,6 in	Space legs top	22 cm // 8,7 in
Tube size	Ø6/20 mm // 0,2/0,8 in	Depth	Ø73,5 cm // 28,9 in	TT* thickness	2 cm // 0,8 in	Diameter	73,5 cm // 28,9 in
Slats used	8	Height	74 cm // 29,1 in	Space legs floor	55 cm // 21,7 in		

10716 SKETCH Dining table



Product weight	44,8 kg // 98,8 lbs	Width	89 cm // 35 in	Height under TT*	70 cm // 27,6 in	Space legs top	176,5 cm // 69,5 in
Tube size	Ø14/24 mm // 0,6/0,9 in	Length	220 cm // 86,6 in	TT* thickness	2 cm // 0,8 in	Diameter	N/A
Slats used	6 pcs	Height	75 cm // 29,5 in	Space legs floor	205 cm // 80,7 in		

12831 CIRCUM Café table



Product weight	9 kg // 19,8 lbs	Width	Ø74 cm // 29,1 in	Height under TT*	70 cm // 27,6 in	Space legs top	22 cm // 8,7 in
Tube size	Ø6/19 mm // 0,2/0,7 in	Depth	Ø74 cm // 29,1 in	TT* thickness	0,5 cm // 0,2 in	Diameter	74 cm // 29,1 in
Slats used	N/A	Height	72,5 cm // 28,5 in	Space legs floor	55 cm // 21,7 in		

TABLES

DINING SPECIFICATIONS

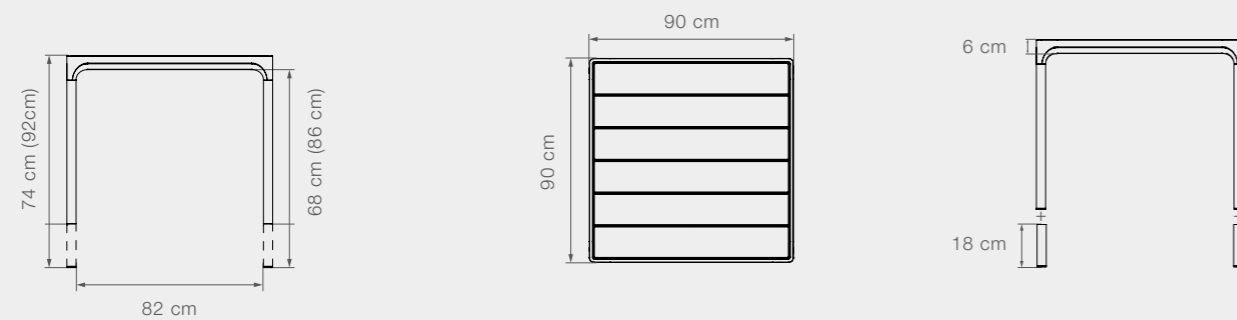
Powder coated grey or black aluminum frame

Bamboo or aluminum tabletop

Maintenance: Oil / Repair lacquer

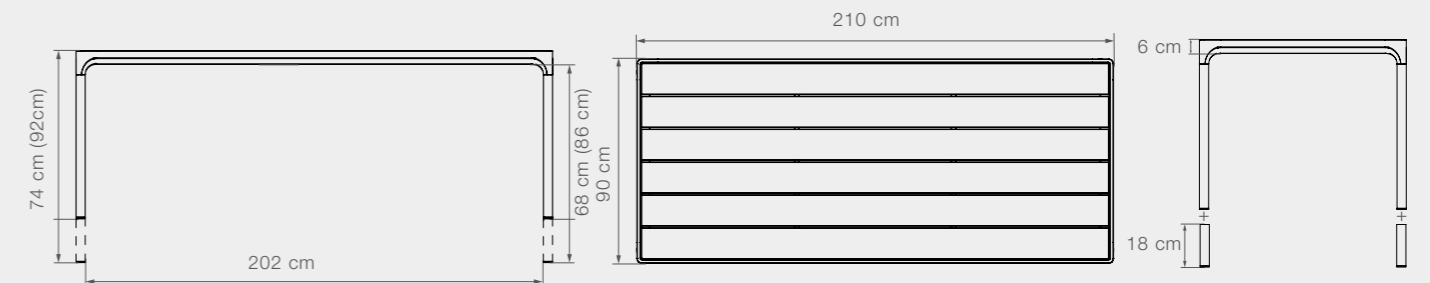
*TT = TableTop

12401 FOUR Dining table (+ **12428 FOUR** Leg extension = **FOUR** Counter height table)



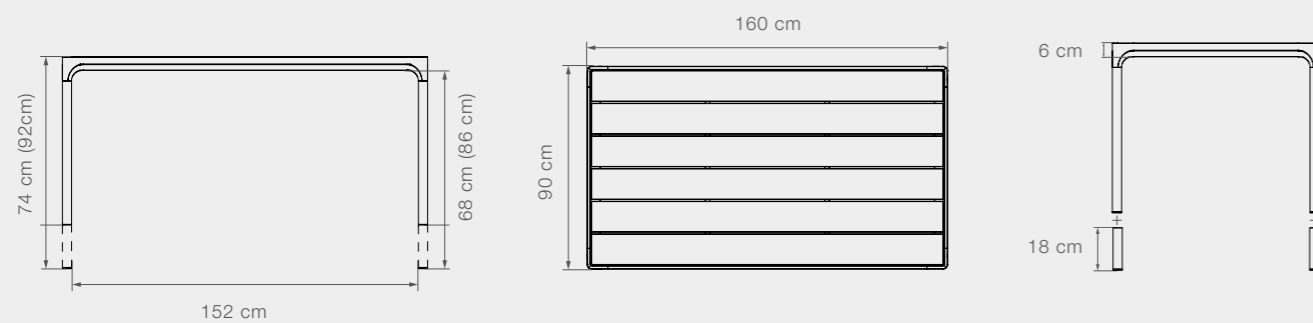
Product weight bamboo	18,8 kg // 41,5 lbs	Width	90 cm // 35,4 in	Height under TT*	68 cm // 26,8 in	Space legs top	82 cm // 32,3 in
Product weight aluminum	17,7 kg // 39 lbs	Length	90 cm // 35,4 in	Height Counter under TT*	86 cm // 33,9 in	Height extension legs	18 cm // 7,1 in
Weight extension legs	1,1 kg // 2,4 lbs	Height	74 cm // 29,1 in	TT* thickness	6 cm // 2,4 in	Slats used	6 pcs
Tube size	Ø40 mm // 1,6 in	Height Counter	92 cm // 36,2 in	Space legs floor	82 cm // 32,3 in	Diameter	125,5 cm // 49,4 in

12403 FOUR Dining table (+ **12428 FOUR** Leg extension = **FOUR** Counter height table)



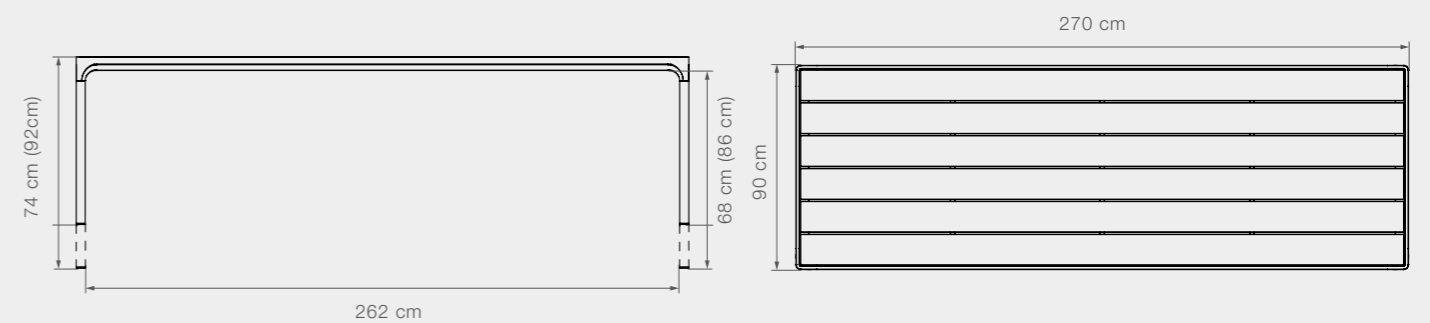
Product weight bamboo	33,5 kg // 73,9 lbs	Width	90 cm // 35,4 in	Height under TT*	68 cm // 26,8 in	Space legs top	202 cm // 79,5 in
Product weight aluminum	31,5 kg // 69,4 lbs	Length	210 cm // 82,7 in	Height Counter under TT*	86 cm // 33,9 in	Height extension legs	18 cm // 7,1 in
Weight extension legs	1,1 kg // 2,4 lbs	Height	74 cm // 29,1 in	TT* thickness	6 cm // 2,4 in	Slats used	6 pcs
Tube size	Ø40 mm // 1,6 in	Height Counter	92 cm // 36,2 in	Space legs floor	202 cm // 79,5 in	Diameter	227 cm // 89,4 in

12402 FOUR Dining table (+ **12428 FOUR** Leg extension = **FOUR** Counter height table)



Product weight bamboo	28,5 kg // 62,8 lbs	Width	90 cm // 35,4 in	Height under TT*	68 cm // 26,8 in	Space legs top	152 cm // 59,8 in
Product weight aluminum	26,6 kg // 58,6 lbs	Length	160 cm // 63 in	Height Counter under TT*	86 cm // 33,9 in	Height extension legs	18 cm // 7,1 in
Weight extension legs	1,1 kg // 2,4 lbs	Height	74 cm // 29,1 in	TT* thickness	6 cm // 2,4 in	Slats used	6 pcs
Tube size	Ø40 mm // 1,6 in	Height Counter	92 cm // 36,2 in	Space legs floor	152 cm // 59,8 in	Diameter	182 cm // 71,7 in

12404 FOUR Dining table (+ **12428 FOUR** Leg extension = **FOUR** Counter height table)



Product weight bamboo	43 kg // 94,8 lbs	Width	90 cm // 35,4 in	Height under TT*	68 cm // 26,8 in	Space legs top	262 cm // 103,1 in
Product weight aluminum	39 kg // 86 lbs	Length	270 cm // 106,3 in	Height Counter under TT*	86 cm // 33,9 in	Height extension legs	18 cm // 7,1 in
Weight extension legs	1,1 kg // 2,4 lbs	Height	74 cm // 29,1 in	TT* thickness	6 cm // 2,4 in	Slats used	6 pcs
Tube size	Ø40 mm // 1,6 in	Height Counter	92 cm // 36,2 in	Space legs floor	262 cm // 103,1 in	Diameter	283 cm // 111,4 in

TABLES

DINING SPECIFICATIONS

Powder coated black aluminum frame

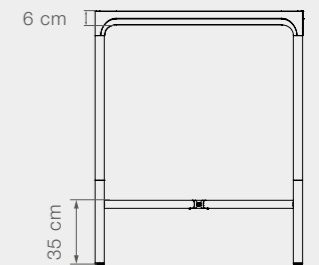
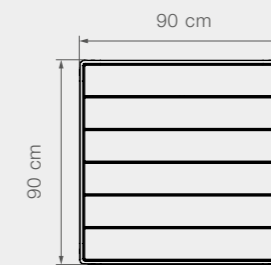
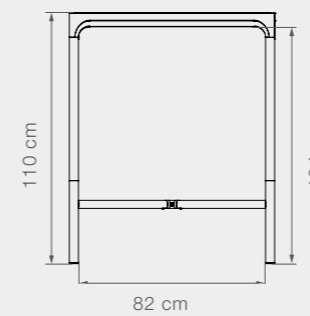
Bamboo or aluminum tabletop

Maintenance: Oil / Repair lacquer

*TT = TableTop

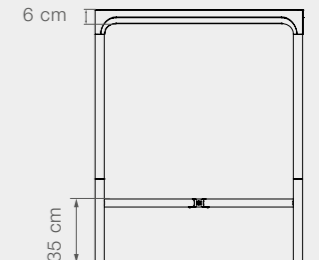
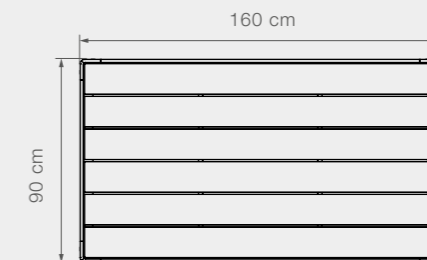
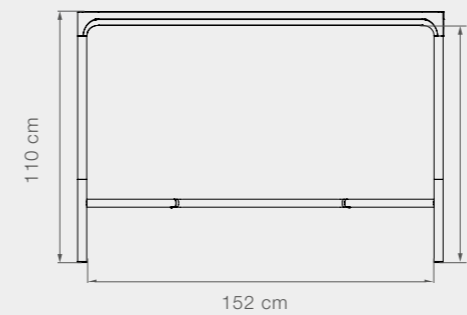


12424 FOUR Bar table



Product weight bamboo	22 kg // 48,5 lbs	Width	90 cm // 35,4 in	Height under TT*	104 cm // 40,9 in	Space legs top	82 cm // 32,3 in
Product weight aluminum	20,9 kg // 46,1 lbs	Length	90 cm // 35,4 in	TT* thickness	6 cm // 2,4 in	Bar height	35 cm // 13,8 in
Tube size	Ø40 mm // 1,6 in	Height	110 cm // 43,3 in	Space legs floor	82 cm // 32,3 in	Slats used	6 pcs

12425 FOUR Bar table



Product weight bamboo	32,7 kg // 72,1 lbs	Width	90 cm // 35,4 in	Height under TT*	104 cm // 40,9 in	Space legs top	152 cm // 59,8 in
Product weight aluminum	30,3 kg // 66,8 lbs	Length	160 cm // 63 in	TT* thickness	6 cm // 2,4 in	Bar height	35 cm // 13,8 in
Tube size	Ø40 mm // 1,6 in	Height	110 cm // 43,3 in	Space legs floor	152 cm // 59,8 in	Slats used	6 pcs