



# FALK

We stopped looking at trash as a problem and started seeing it as the resource it is. And we created a chair made of recycled everyday household plastic.

## PRODUCT NO.

12901-2005-XX

## DESIGNED BY

Thomas Pedersen  
in 2018

## PRODUCTION

Denmark

## BASE

Legs in solid oiled oak

## CATEGORY

Armchair with or  
without seat cushion

## ENVIRONMENT

Indoor

## ASSEMBLING

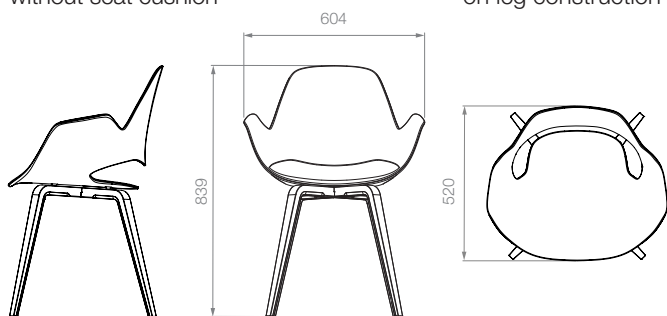
Shell to be mounted  
on leg construction

## SHELL

75% Household plastic trash  
20% Glass fibers  
5% Color pigment

## SEAT

CURA from Gabriel. 98% post-consumer recycled polyester  
EU Ecolabelled and STANDARD 100 by OEKO-TEX®  
Foam: Polyether, 60 kg/m<sup>3</sup>  
4 mm Plywood



## DIMENSIONS

H: 839 mm  
D: 520 mm  
W: 604 mm

## SEAT HEIGHT

470 mm

## WEIGHT

Gross: 7,8 kg  
Net: 6,5 kg

## CLEANING AND CARE

View online [here](#)

## TEST AND CERTIFICATES

**EN 16139:** Extreme use  
**2013 – L2** Furniture – Strength, durability and safety –  
Requirements for non domestic seating

## COLOR SHELL

● 20 Black

## COLOR SEAT

● 61169  
Beige

● 62082  
Dark Yellow

● 60019  
Dark Grey

● 68182  
Dark Green

## BOX DIMENSIONS

BOX 1:  
H: 46 cm  
W: 56,5 cm  
L: 60,5 cm

BOX 2:  
H: 55 cm  
W: 50 cm  
L: 48 cm

## PALLET DIMENSIONS

H: 213 cm  
W: 80 cm  
L: 120 cm

## SHIPPING UNITS

2 pc/box

## UNITS / PALLET

8



FALK is EU Ecolabel certified. The EU Ecolabel evaluates the entire product lifecycle and the environmental problems that arise along the way – for the benefit of the environment, climate, humans and the earth's resources.



FALK with solid oak legs are FSC certified.

The mark of  
responsible forestry  
FSC • C153404

## AWARDS



**HOUE**

RODELUNDVEJ 4A · 8680 RY · DENMARK · HOUE.COM



# FALK

We stopped looking at trash as a problem and started seeing it as the resource it is. And we created a chair made of recycled everyday household plastic.

## DESIGNER THOMAS PEDERSEN

Thomas Pedersen graduated from Aarhus School of Architecture in Denmark in 2002 and set up SPARK design studio later the same year.

Pedersen's designs embody Danish Modern characteristics, with a clear emphasis on simplicity. He combines classic organic lines with innovative ideas and details.

Much of his fascination for furniture design derives from the fact that it is possible to build full-scale models of the concepts he has in his head. He is firmly convinced that it is only by doing this that it is possible to test the qualities of his products with his own body, to assess their durability and thus make certain that the results live up to expectations.

## MADE IN DENMARK

The technology and production behind FALK are developed in Denmark. So looking at FALK, you are basically looking at the result of the marriage between the Danish heritage of furniture design and cutting edge Danish innovation in applying new thinking and materials into a chair

## RESPONSIBLY SOURCED MATERIALS

To us sustainability and responsibility go hand in hand, but most importantly, we make sure we can document what we do.

FALK consists of three parts; the shell, the seat and the legs. All parts are created with an environmental mindset, using natural materials from responsible sources. FALK is designed to last a lifetime and more, and is currently providing 5 years warranty.