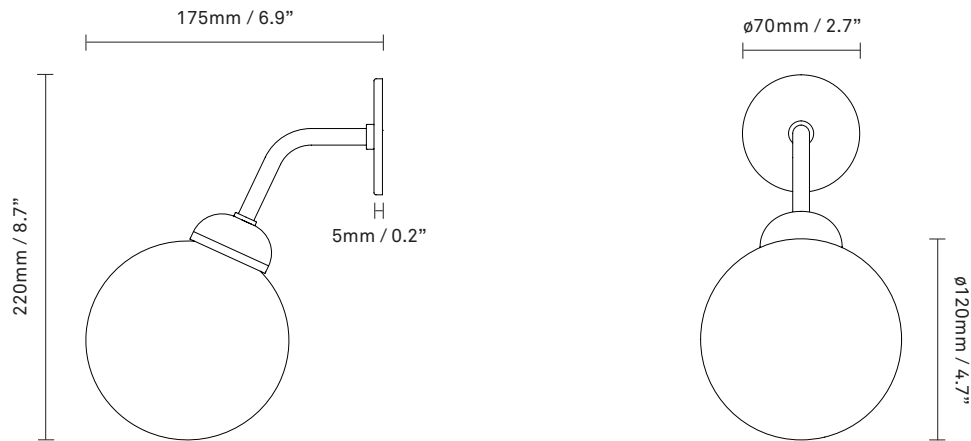


NUURA



APIALES WALL HARD-WIRED
satin black / opal

Design: Sofie Refer, 2021



Apiales Wall Hard-Wired is connected directly to the electrical wiring in the wall. A classic wall plate version of the Apiales Wall lamp is also available.

Product no.: EU - 2055004 / US - 3055004

Type: Wall light - Indoor

Colour: Glass: opal white / Metal: brushed brass

Materials: Anodized metal, mouth-blown glass

Dimensions: 175mm / 6,9in x 220mm / 8,7in
Glass: \varnothing 120/ 4,7in

Weight: Armature + glass: 420g

Packaging: Dimensions: L: 355mm / 13.9in
x W: 150mm / 5.9in x H: 155mm / 6.1in
Weight: 260g
Total weight incl. product: 620g
Number of parcels: 1
Material: Brown cardboard

Certifications: CE, ETL, IP20, Class I

For information about IP ratings, click [here](#)

Cleaning: Use a soft dry cloth to clean the product.
Do not use household cleaners.

Light source: Socket: G9
Max wattage: 5W LED
Voltage (V): 220-240V / 120V

Light source not included

Dimmable if installed with appropriate dimmable LED light source(s) suitable for your dimmer circuit.

Light source can be added to delivery on request or via our webshop .

Works with appropriate lighting control module. Module can be added to delivery on request.