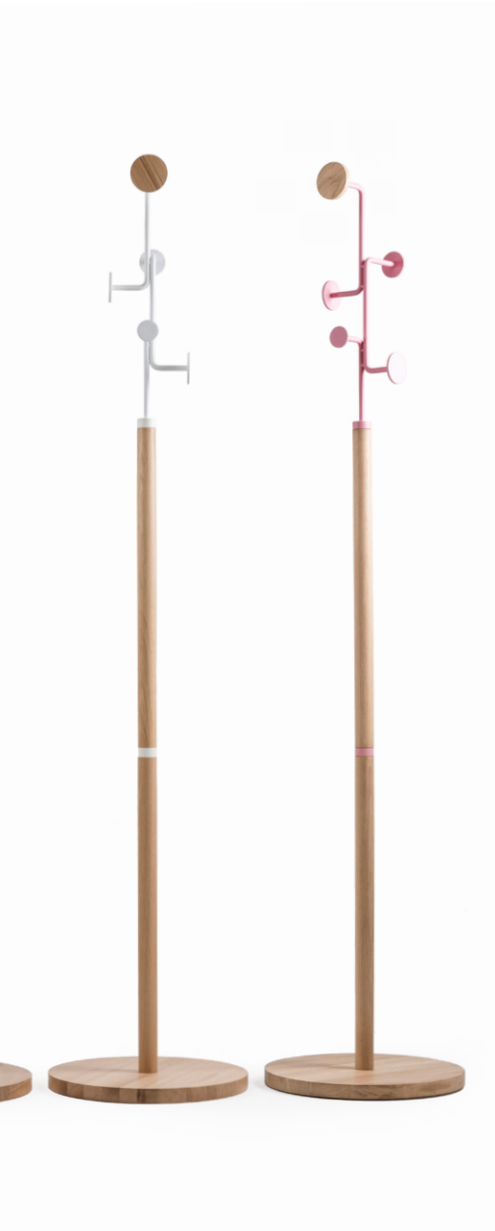


Hook coat stand

Technical information sheet



Basic info

Design Mustafa Čohadžić

Item no. 110
Size (cm) W: Ø37, H: 170

Wood Solid oak

Metal Powder coated steel

Technical features

Frame

Hook coat stand metal frame is made from bend steel rods. It has powder-coated and fine structure granulated surface finish available in four colors.

Metal knobs

Steel knobs are welded to the frame structure and come in line with metal frame color.

Wooden knob

The solid oak knob has a metal base in the same powder-coated color as the metal frame. The wooden part has laser engraved branding on the inside and is available in plant-based Hardwax oil finish (white oil color), which retains wood natural state. Hanger bolts needed for assembly are included in the packaging.

Base and post

Wooden base and stand post are made out of solid oak with a woodturning lathe technology. Both have metal inserts needed for assembly. At the bottom of the base, there is a circular rubber seal strip for better grip to the floor surface.

Cleaning

Please see Product or Material page on our website.

Hook coat stand

Available materials and colors

Wood material

Solid oak



White oil

Metal material

Powder coated steel



Black



Light green



Light pink



White

Notes to consider

The dimensions shown in this document are indicative, they may vary due to the natural properties of wood, season, or manufacturing processes, for these reasons deviations from the specified size may occur, usually no more than 1 cm.

Natural variations in wood color and surface may occur. Regular maintenance will ensure the wood preserves its authentic beauty and can last for generations.

For all additional inquiries regarding Hook coat stand please feel free to contact us.

Hook coat stand

Product dimensions

0cm 20 40 60 80 100 120

Scale: 1:20

Version: 1.11.2020

Page 3 / 3

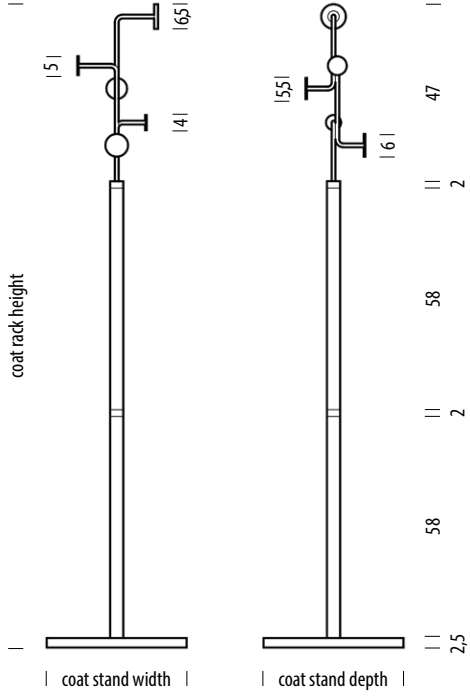
Hook coat stand
Item no: 110

Size (cm)

W: Ø37

D: Ø37

H: 170



Packaging

W: 60

D: 40

H: 16

Net weight

4 kg

Gross weight

4,6 kg