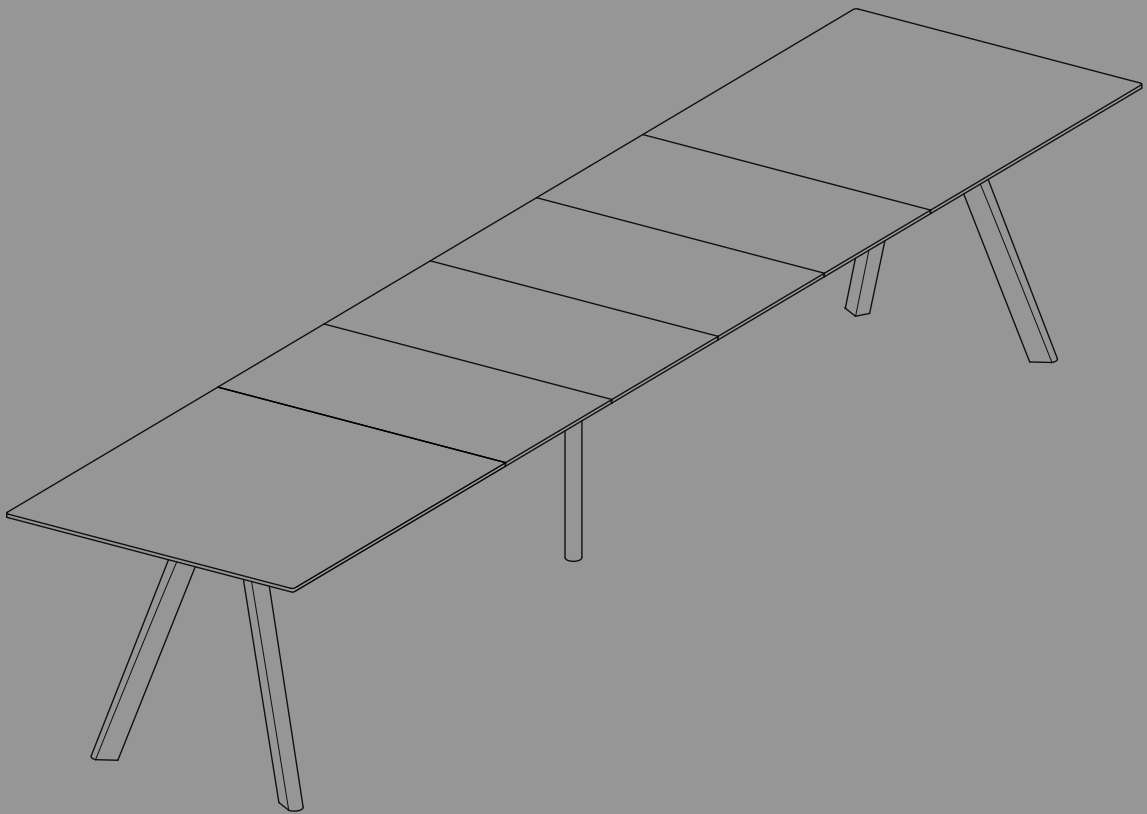


INSTRUCTION MANUAL

---

# CPH30 EXTENDABLE



*By Ronan & Erwan Bouroullec*

**HAY**



## INTRODUCTION

---

Part of the Copenhagen range designed by Ronan and Erwan Bouroullec, the CPH30 Extendable shares the same characteristic angled legs and strong identity that are consistent with the rest of the collection, yet its contrasting tabletop and extendable design set it apart. The table comes supplied with extension leaves, which can easily be inserted into the table's central sliding mechanism, allowing the table to be extended to the required length. The table's flexible length makes it suitable for offices and public contexts, as well as workspace or dining solutions in home environments. CPH30 Extendable is available in a number of sizes with an oak frame in different finishes, and the tabletop comes in a variety of wood, laminate or linoleum options.

## CARE AND MAINTENANCE

---

### CAUTION

With a little care you can prolong the life of your furniture. Follow the instructions for the materials of your specific product to make sure that it stays in the best shape for as long as possible.

The information below is only intended as a general guideline. For more information on how to remove specific stains, please enquire where you bought the furniture.

- Always remove stains quickly before they can do any permanent damage to the furniture.
- Avoid placing the table in direct sunlight or near a heat source to reduce changes. As wood is a natural material, it will change in colour and will patinate over time.
- When you move your furniture, make sure you lift it rather than pulling or pushing it to avoid damaging the floor, legs and mountings.
- Tighten up the screws after one to two months' use and whenever required.
- Avoid improper use such as putting your feet on the table or standing on it.
- Use coasters under damp, hot or coloured objects to avoid permanent stains.
- Avoid partially covering the surface, for example with tablecloths or place mats, as colour variances may appear.
- Be careful not to scratch or damage the surface with sharp objects.
- The extension leaves must be stored at normal room temperature, and the tabletops should not lie against each other or any other flat surfaces to give them adequate "air" during storage.

## CARE AND MAINTENANCE

---

### LACQUERED OR STAINED WOOD

- Wipe with a clean cloth wrung in water or in a solution of water and a neutral detergent. Remove soap residue immediately using a clean, dry cloth.
- If the surface is scratched or appears matt, use a care product especially suited to lacquered or stained wood.
- Avoid using detergents containing silicone, as they seal the stain in and make subsequent repairs more difficult.
- Avoid using scouring cream or scouring pads, as they may scratch the surface.

### SOAPED WOOD

- Wipe with a clean cloth wrung in water or in a solution of water and a neutral detergent or soap flakes. Remove soap residue immediately using a clean, dry cloth.
- To remove stains, clean and scrub using a thick solution of soap flakes that should not stay on the wood for more than two minutes. Then remove the remaining soap residue using a damp cloth.
- If the grain of the wood rises after cleaning, gently sand down the wood using fine-grit sandpaper (No. 220), always going with the grain.
- If the surface is scratched or appears matt, use a care product especially suited to soaped wood.

### LINOLEUM

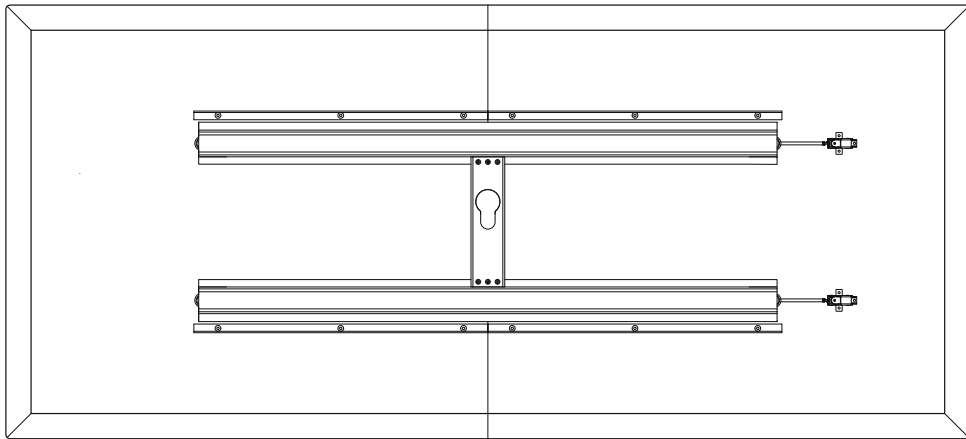
- Wipe with a clean cloth wrung in water or in a solution of water and a neutral detergent or soap flakes. Remove soap residue immediately using a clean, dry cloth.
- If the surface is scratched or appears matt, use a care product especially suited to linoleum.
- Stains may be carefully removed using white spirit (mineral spirit) or a damp nano sponge dipped in lukewarm water or linoleum care product. Follow up immediately with a clean, dry cloth. Never use the nano sponge dry.
- Avoid alkaline detergents such as soft (yellow) soap, washing soda, lye and scouring powder.

### LAMINATE

- Wipe with a clean cloth wrung in water or in a solution of water and a neutral detergent. Remove soap residue immediately using a clean, dry cloth.
- Stains may be carefully removed using household ammonia or with a clean, damp cloth or a nano sponge wrung in warm water. Never use the nano sponge dry. Follow up immediately with a clean, dry cloth.
- Avoid using scouring cream or scouring pads, as they may scratch the surface.

# PARTS

---



Tabletop (A) x 1

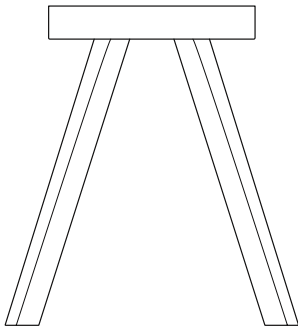


Table leg (B) x 1

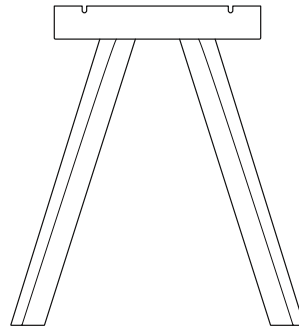
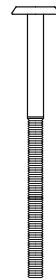


Table leg (C) x 1



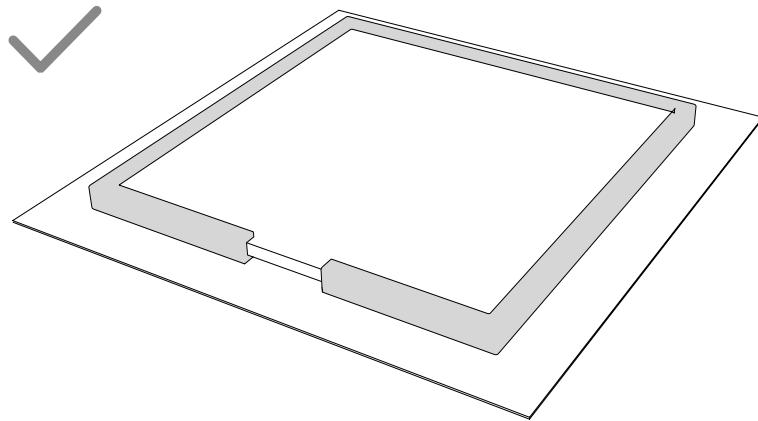
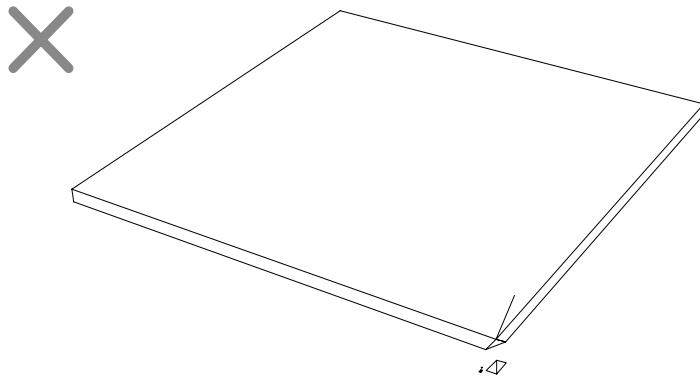
Allen key (D) x 1



Screw (E) x 16

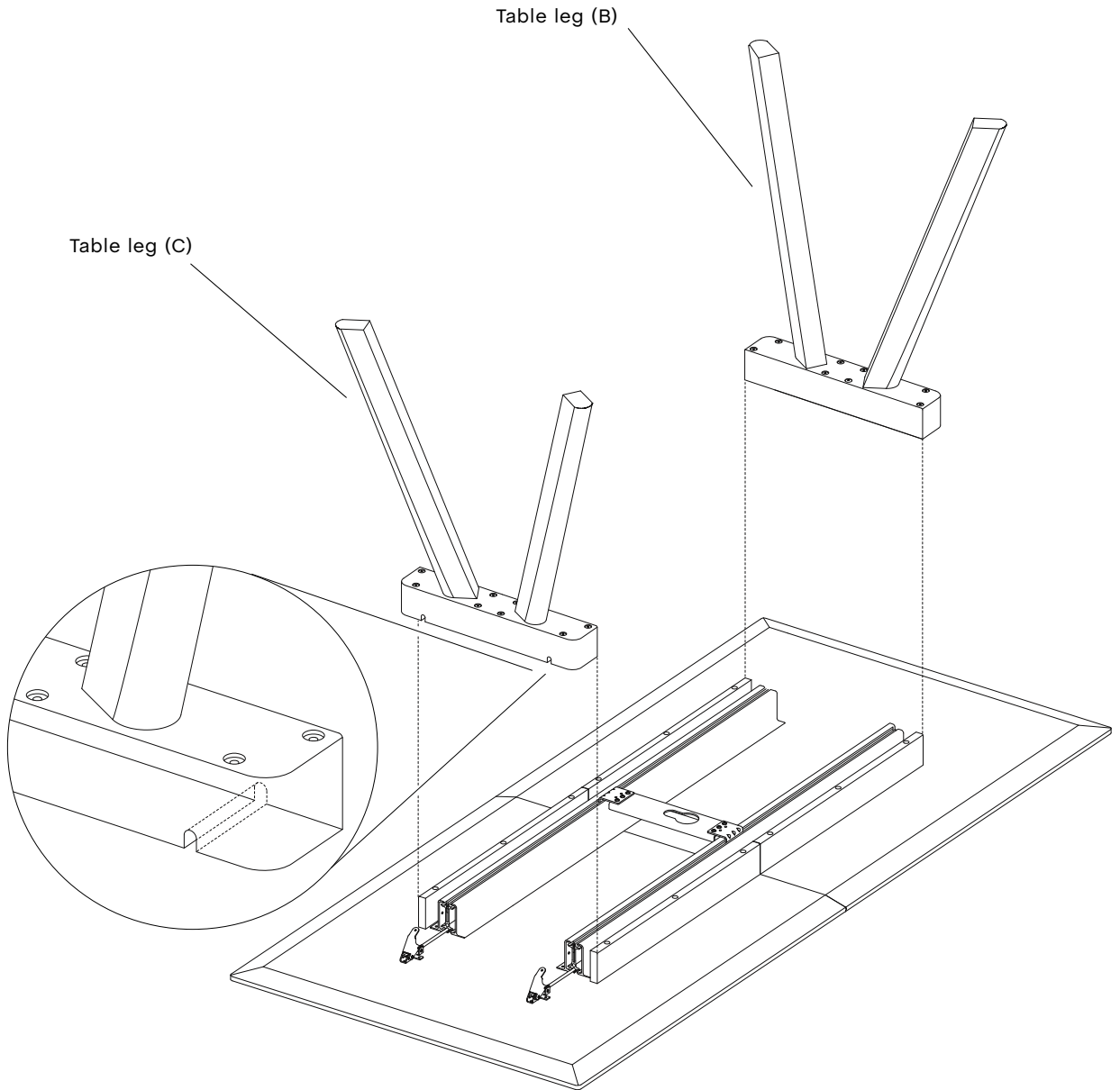
1.

While assembling, keep the table inside the cardboard box with the foam edge, in order to protect the tabletop from scratches etc. Make sure that all the parts are included.



2.

Place the legs on the tabletop as illustrated below.

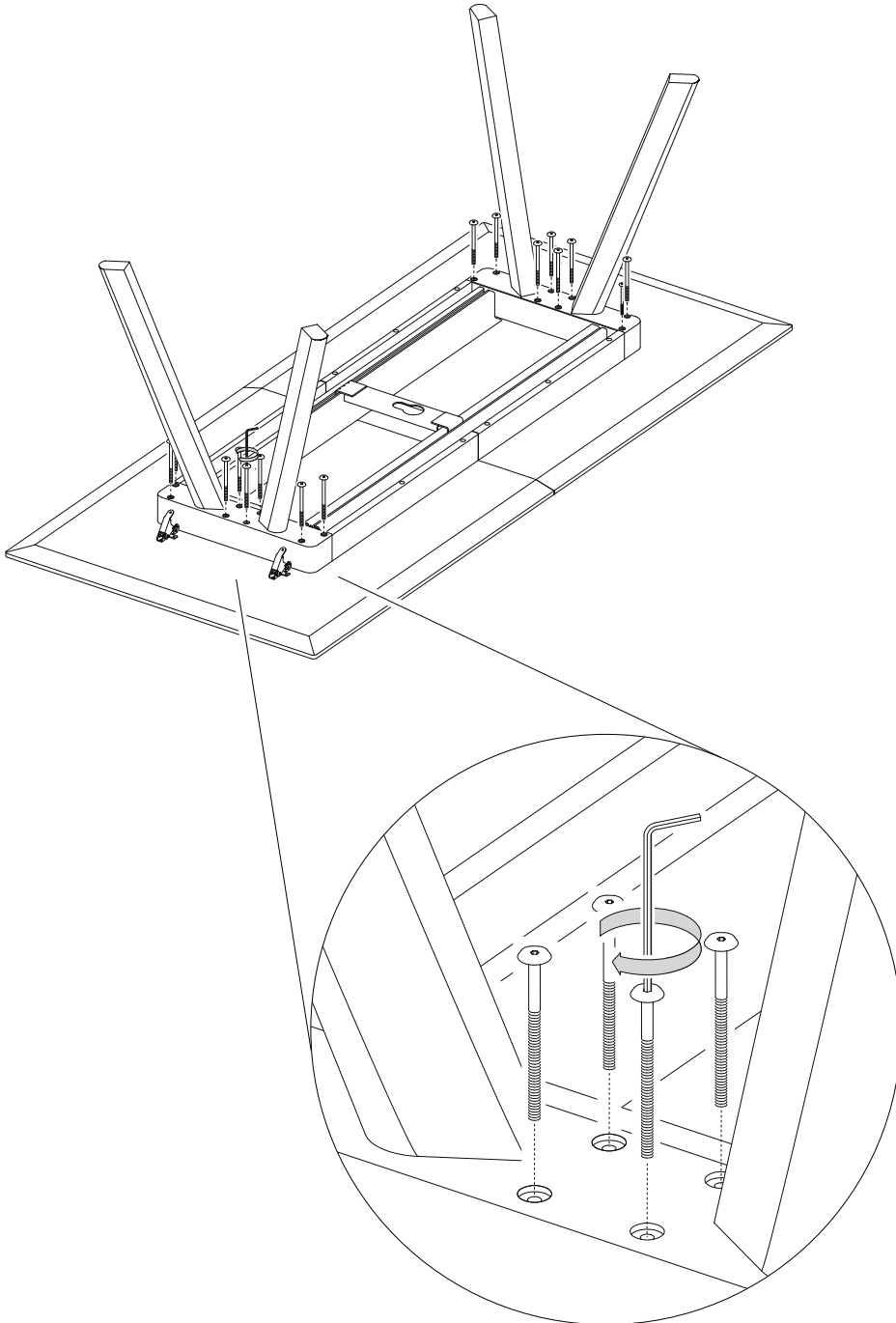


Note that the legs are not identical.



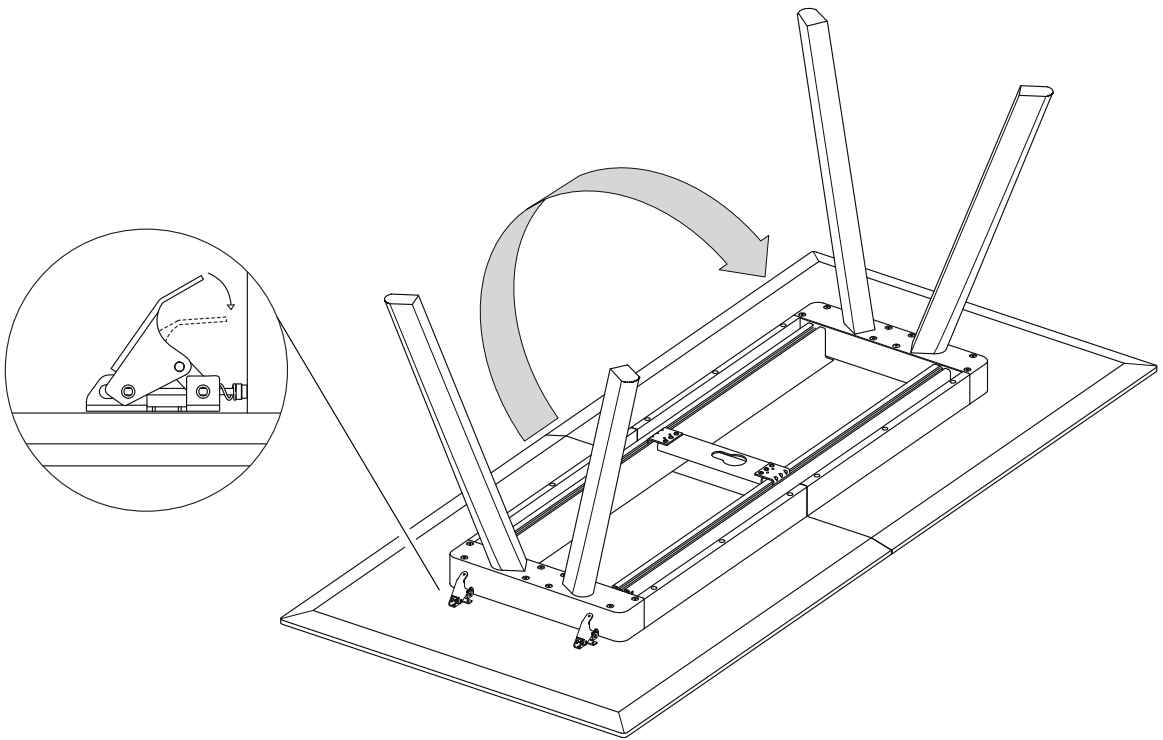
3.

Tighten the screws (part E) using the Allen key (part D).

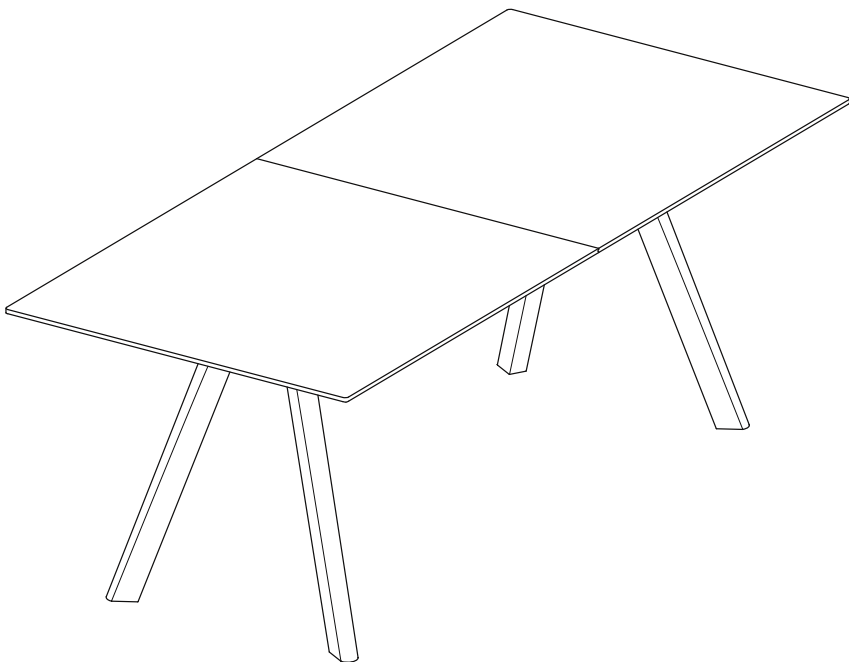


4.

Make sure that the mechanism is locked, before turning the table over (2 people are recommended).



5.

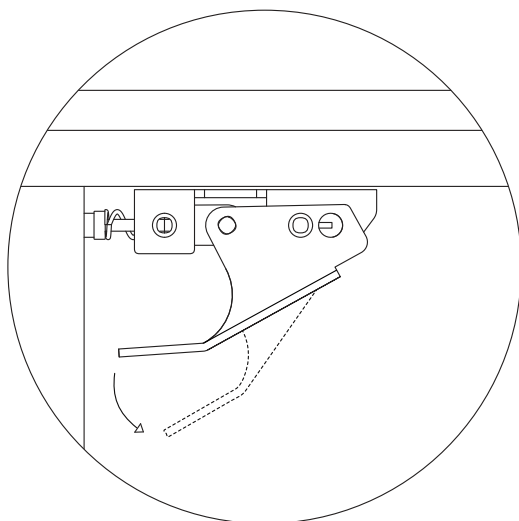


## EXTENDING THE TABLE WITH UP TO 2 LEAVES

---

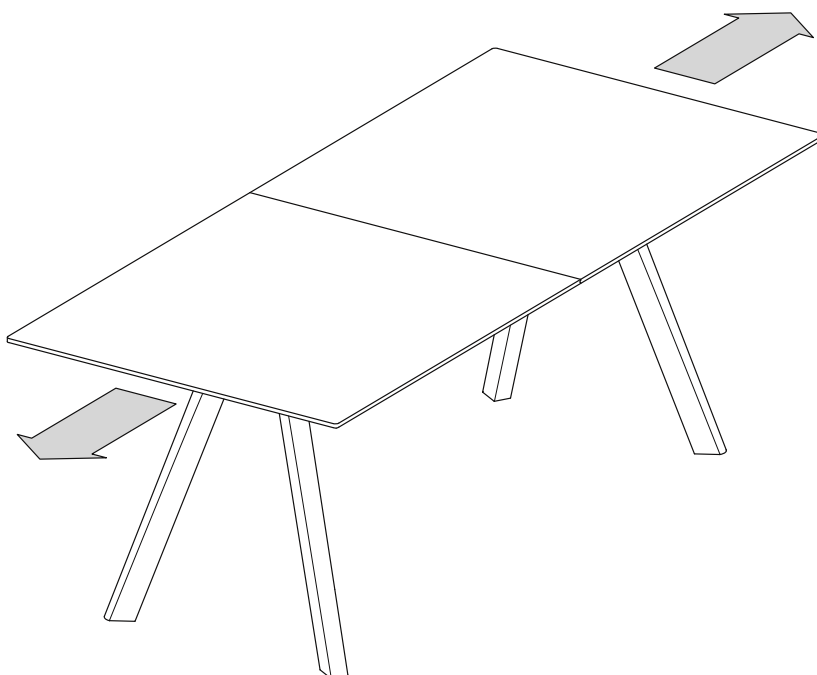
1.

Unlock the mechanism by pulling the handle.



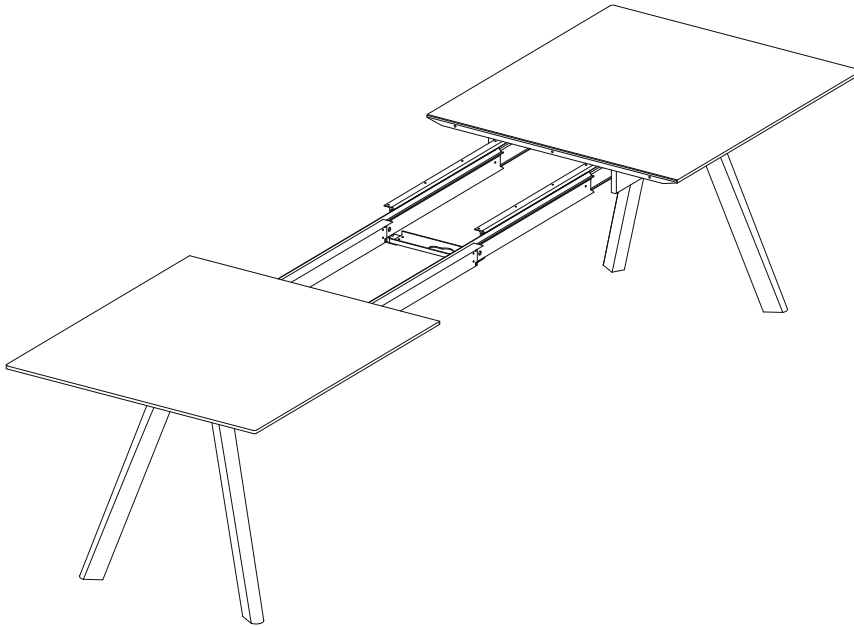
2.

Extend the table by lifting it at one or both ends and pull it towards you.



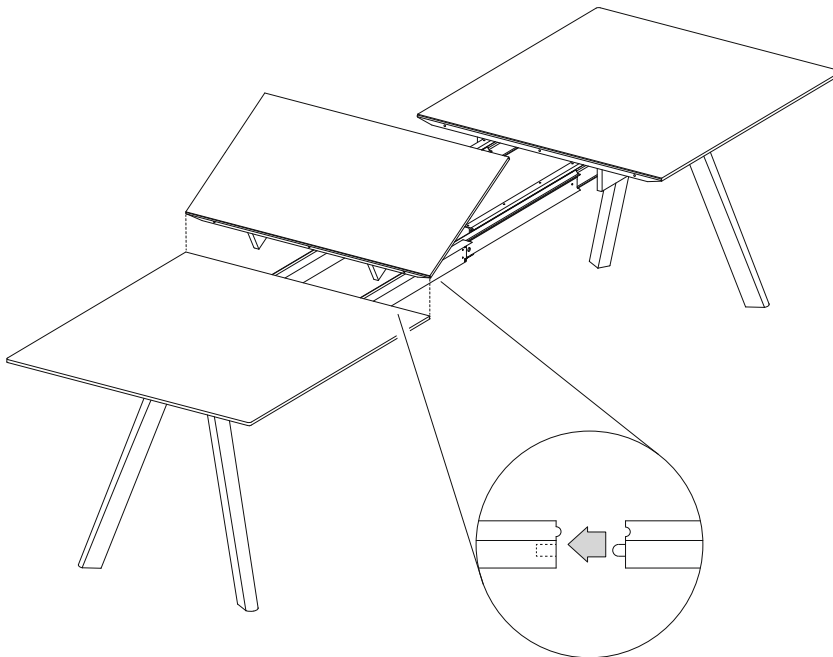
3.

Make sure to make enough space for 1 or 2 leaves.



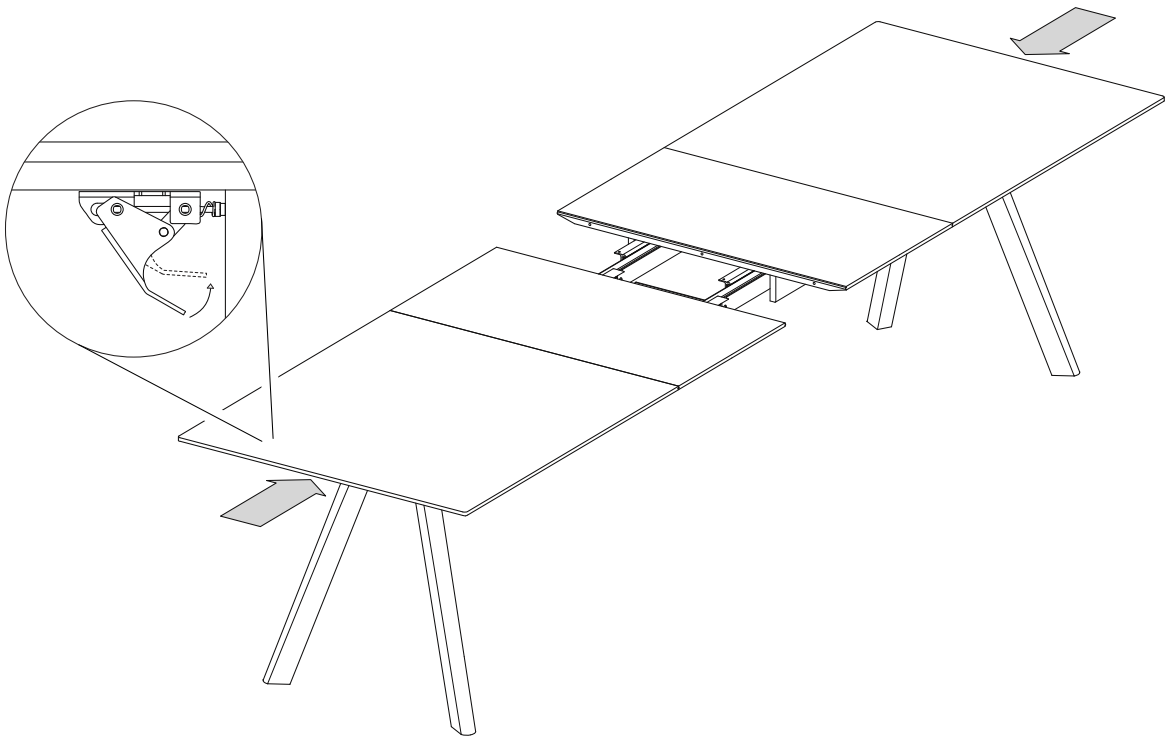
4.

Place the table leaves at a slight angle, as illustrated below. Make sure that the pins are securely inserted into the holes.

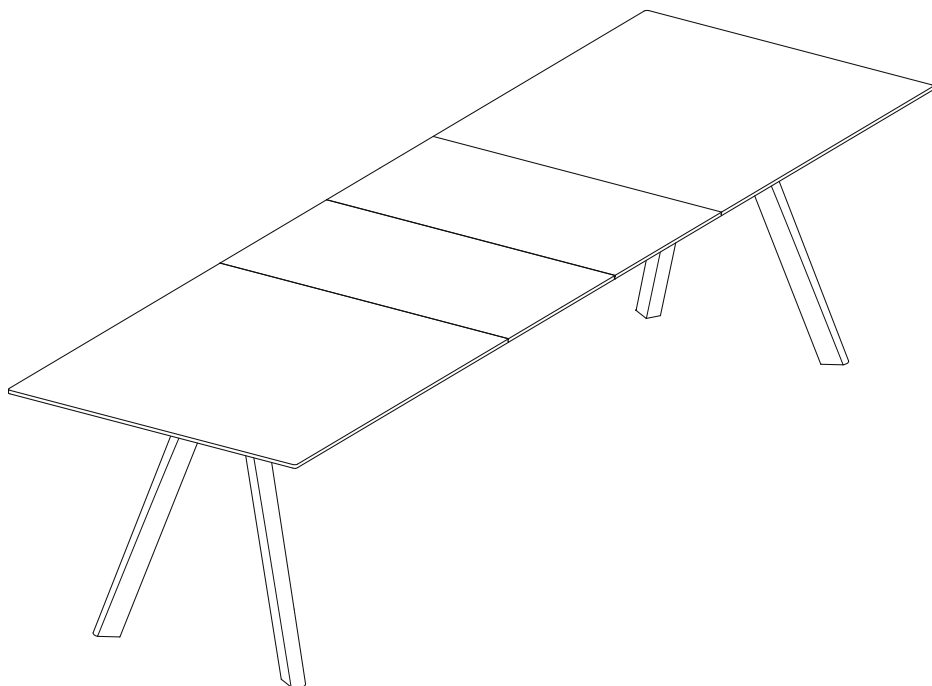


5.

Push both ends of the table to close the centre gap and then lock the mechanism.



6.



## EXTRA PARTS - TABLE 160 X 80

---

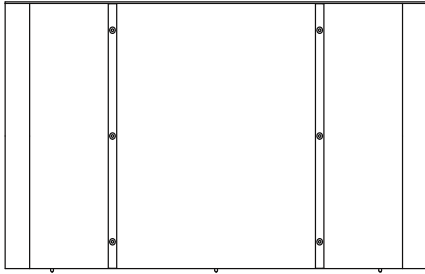


Table leaf (50 x 80 cm) - **MAXIMUM 3**



Support leg - Required when using more than 2 table leaves

## EXTRA PARTS - TABLE 200 X 90 AND 250 X 90

---

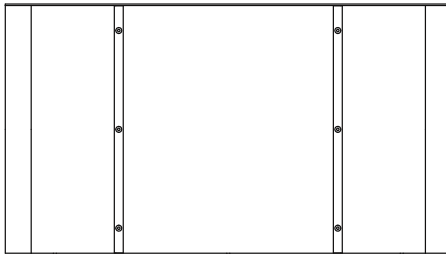


Table leaf (50 x 90 cm) - **MAXIMUM 4**



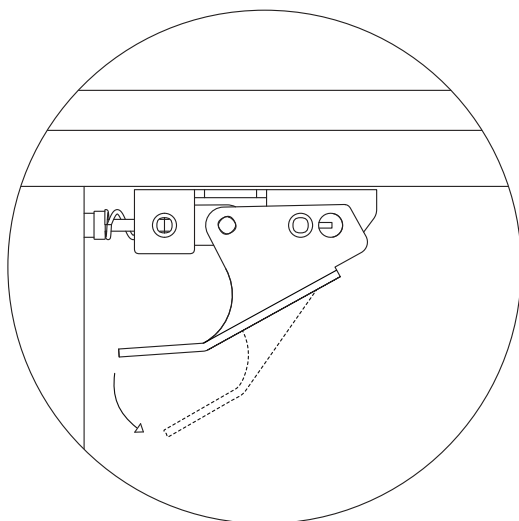
Support leg - Required when using more than 2 table leaves

## EXTENDING THE TABLE WITH MORE THAN 2 LEAVES

---

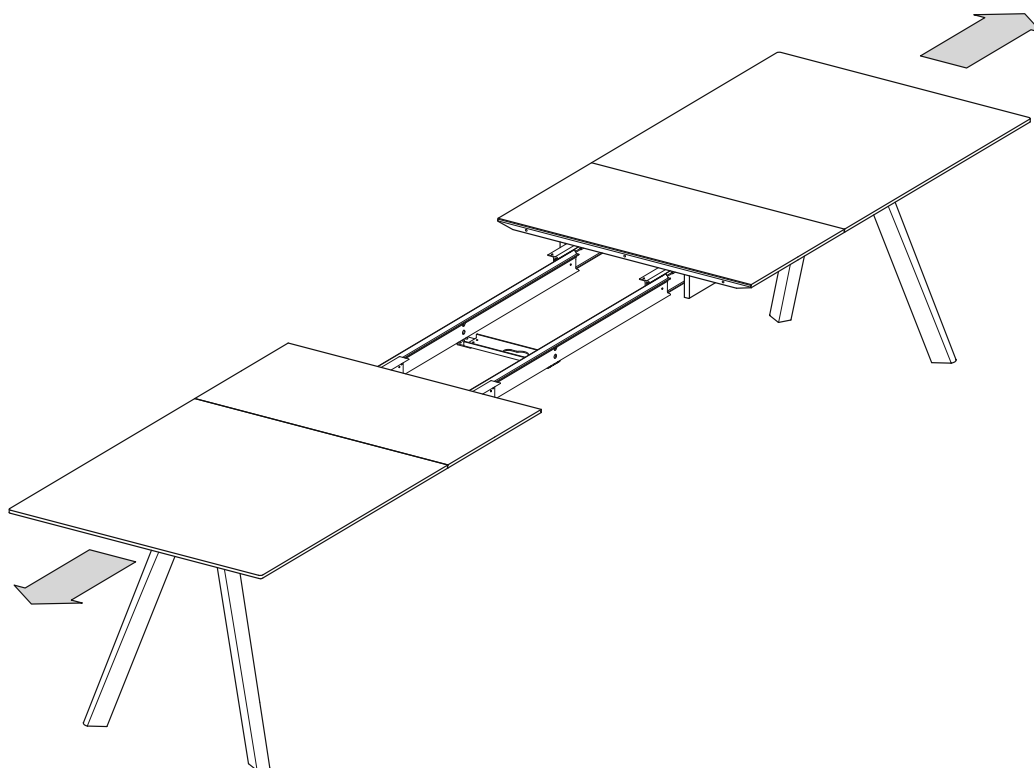
1.

Unlock the mechanism by pulling the handle.



2.

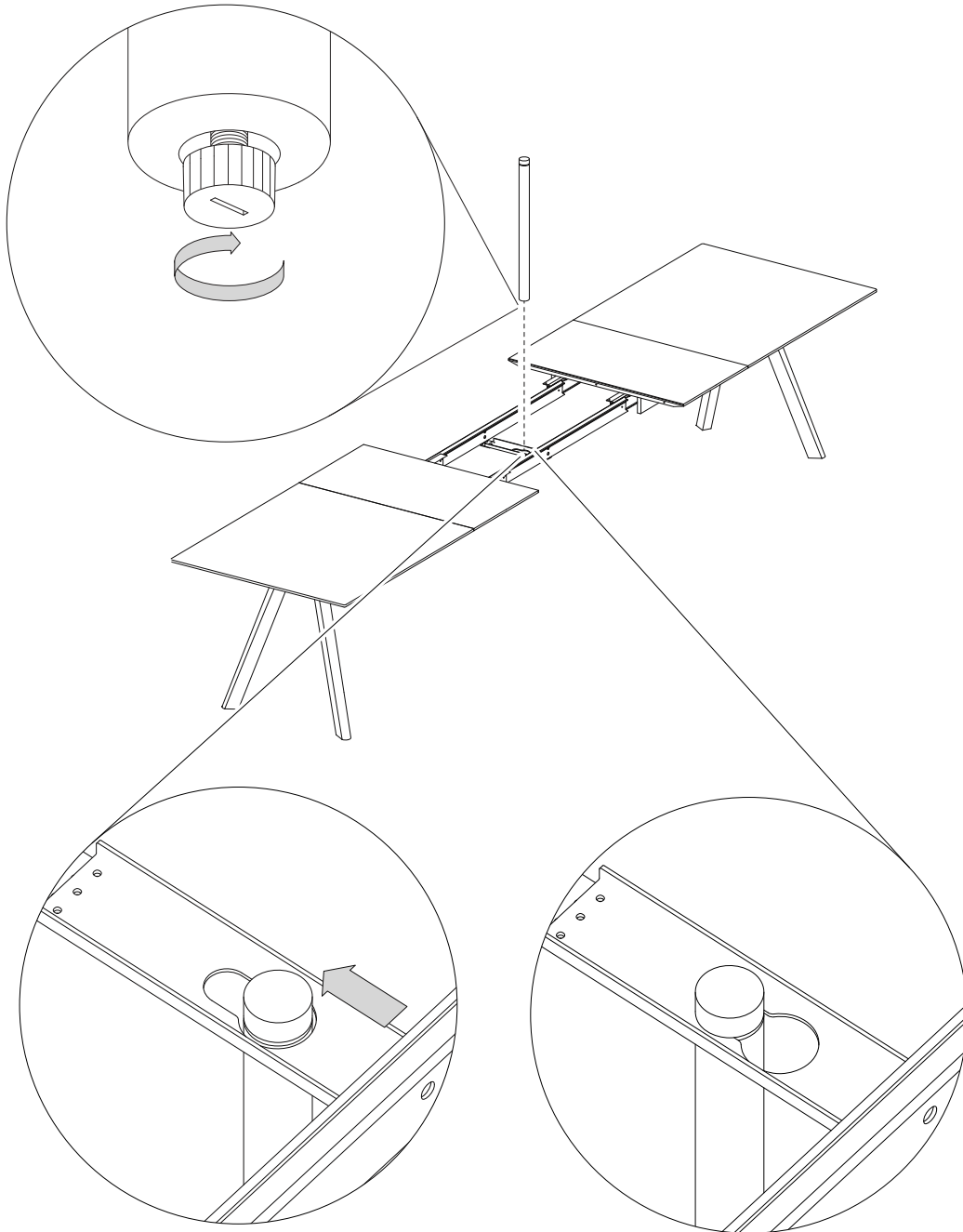
Extend the table by lifting it at one or both ends and pull it towards you.



3.

Place the supporting leg into the central steel bracket.

Slightly lift the mechanism if needed.

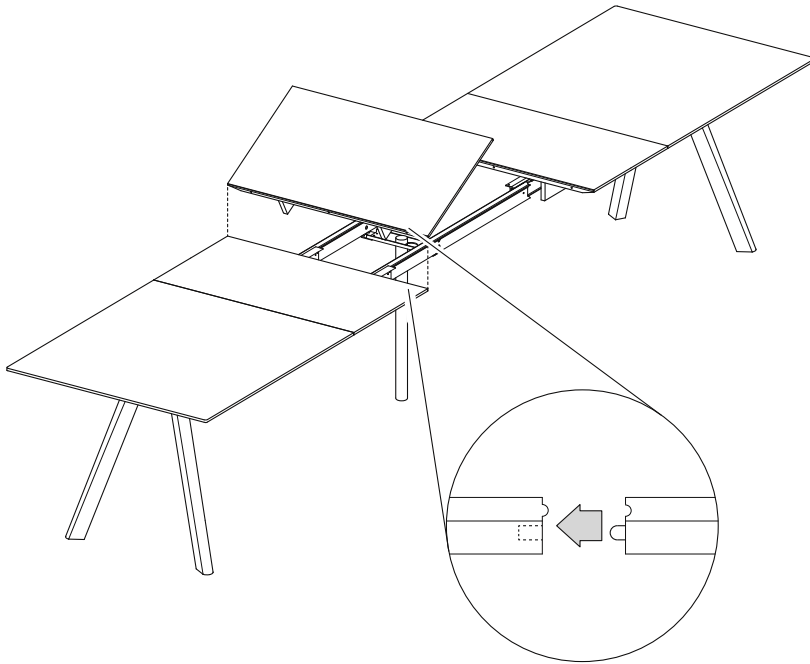


Adjust the supporting leg glider if needed, to make sure the tabletop is level.



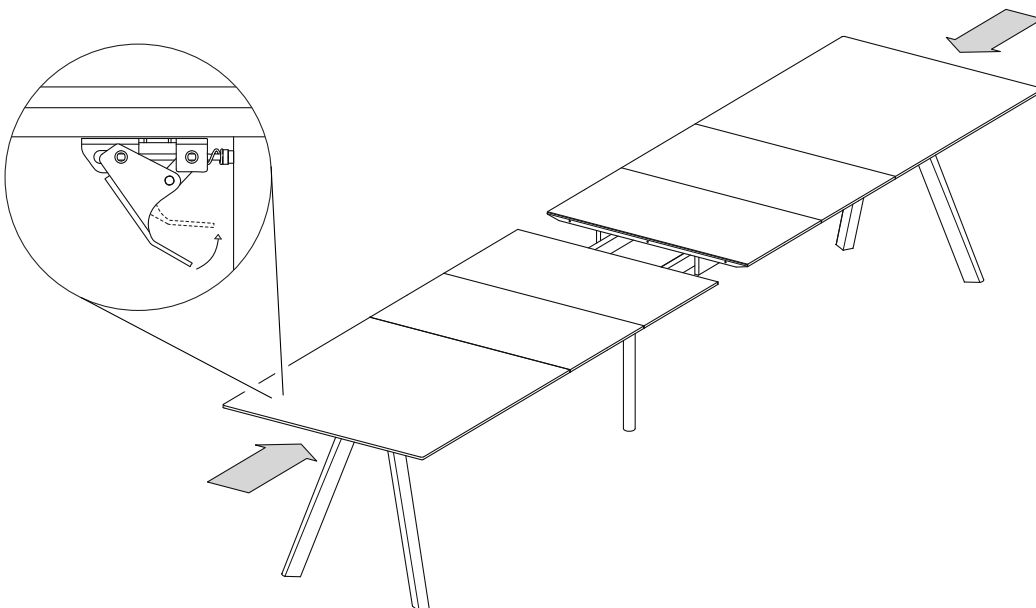
4.

Place the table leaves at a slight angle as illustrated below.  
Make sure that the pins are securely inserted into the holes.



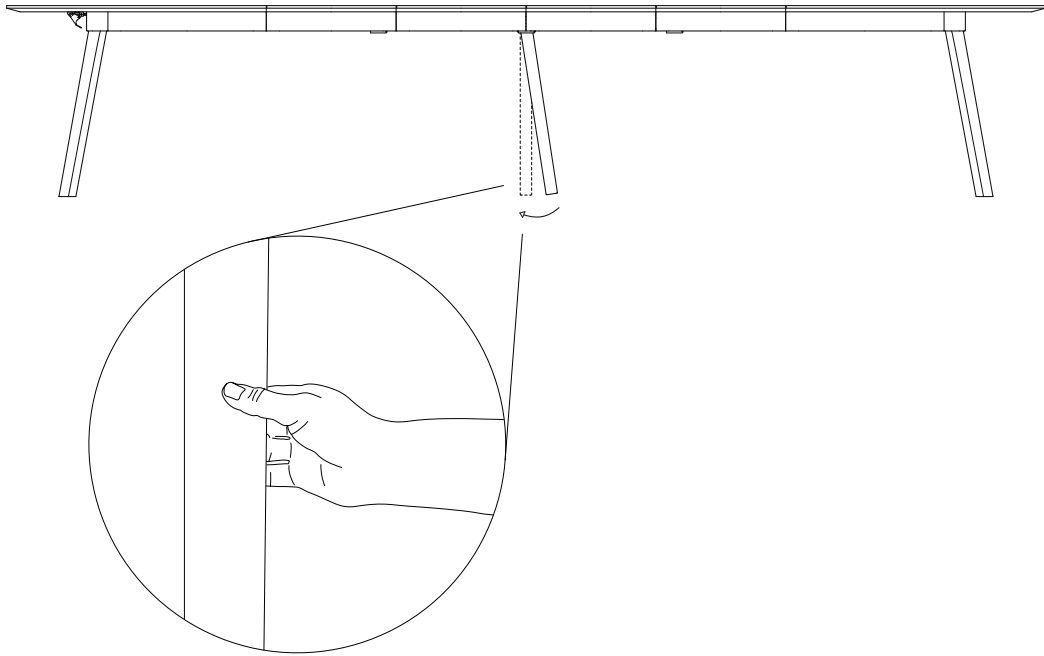
5.

Push both ends of the table to close the centre gap and then lock the mechanism.

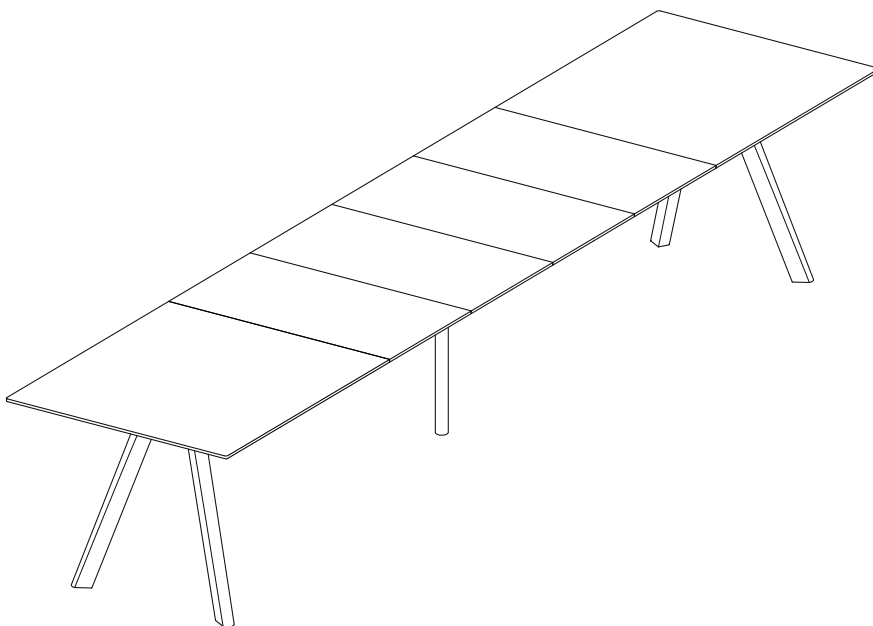


6.

Adjust the supporting leg angle if needed. Lock the mechanism underneath the tabletop.



7.





Havnen 1 8700 Horsens Denmark  
+45 4282 0282 / hay@hay.com

**HAY**

04042019

ITEM NO. 706359

