

Fina storage units

Technical information sheet



Basic info

Design Mustafa Čohadžić

Body Solid oak

Fronts Linoleum (Nero, Mushroom)

Technical features

Structural frame

Storage unit body, as well as all inside shelves and drawers, are made of solid wood - oak, except storage unit back panel and drawer bottom panels which are made of high-density fiberboard.

Finish

Available in two plant-based Hardwax oil finishes (colors), which retains wood natural state, as a white or natural oil.

Fronts

Storage unit front panels are made out of linoleum (natural, warm to the touch, smooth, antibacterial surface material) glued on beech plywood, framed with solid wood edges, and veneered from the inside. Desktop linoleum is available in two colors.

Legs

Steel legs are powder-coated in line with chosen linoleum color (fine structure).

Cleaning

Please see Product or Material page on our website.

Fina storage units

Available materials and colors

Wood material

Solid oak



White oil



Natural oil

Laminate surface

Linoleum

Linoleum
MushroomLinoleum
Nero

Notes to consider

The dimensions shown in this document are indicative, they may vary due to the natural properties of wood, season, or manufacturing processes, for these reasons deviations from the specified size may occur, usually no more than 1 cm.

Natural variations in wood color and surface may occur. Regular maintenance will ensure the wood preserves its authentic beauty and can last for generations.

For all additional inquiries regarding the Fina storage units table please feel free to contact us.

Reference - Internal storage symbols

Space C - Compartment
D - Drawer
S - Shelf
CH - Cable hole

Position U - Upper
M - Middle
B - Bottom
R - Right
L - Left

Shape RC - Rectangular
CR - Circular

e.g. C-UR | Compartment - upper right
D-BL | Drawer - bottom left
CH-RC | Cable hole - rectangular

Fina storage units

Product dimensions

0cm 20 50 100 180

Scale: 1:30

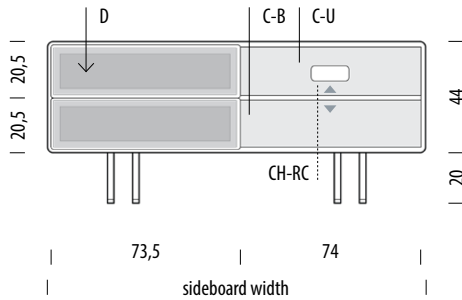
Version: 1.11.2020

Page 3 / 5

Fina sideboard 150

Item no: 19C

Size (cm) W: 150 D: 45 H: 64



Internal storage

D	W: 66	D: 34,5	H: 15
C-U	W: 74	D: 41	H: 18 / 21,5
C-B	W: 74	D: 41	H: 16 / 19,5

Cable hole

CH-RC	W: 14	H: 5
-------	-------	------

Packaging

W: 153	D: 54	H: 49
--------	-------	-------

Net weight

58 kg

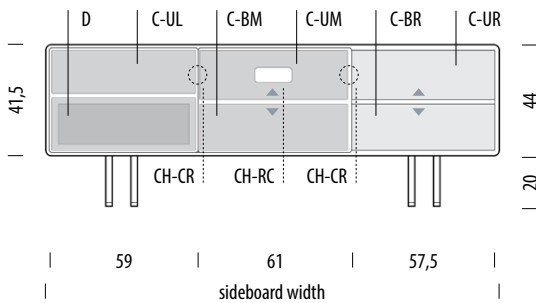
Gross weight

62 kg

Fina sideboard 180

Item no: 065

Size (cm) W: 180 D: 45 H: 64



Internal storage

C-UL	W: 57,5	D: 41	H: 19
D	W: 53	D: 34,5	H: 15
C-UM	W: 57,5	D: 41	H: 18 / 21,5
C-BM	W: 57,5	D: 41	H: 16 / 19,5
C-UR	W: 57,5	D: 41	H: 18 / 21,5
C-BR	W: 57,5	D: 41	H: 16 / 19,5

Cable holes

CH-RC	W: 14	H: 5
CH-CR	W: Ø5	

Packaging

W: 186	D: 49	H: 47
--------	-------	-------

Net weight

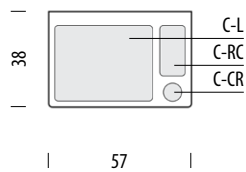
58.3 kg

Gross weight

62.3 kg

Pull-out shelf

(between C-UL and D)



Pull-out shelf

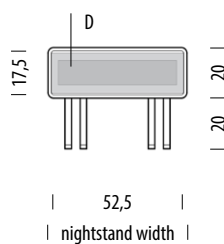
(between C-UL and D)

C-L (15" notebook size)	W: 39	D: 30	H: 10
C-RC	W: 10	D: 20	H: 10
C-CR	W: Ø7		H: 10

Fina nightstand

Item no: 068

Size (cm) W: 55 D: 45 H: 40



Internal storage

D	W: 46,5	D: 34,5	H: 10
---	---------	---------	-------

Packaging

W: 61	D: 52	H: 23,5
-------	-------	---------

Net weight

15,3 kg

Gross weight

16,8 kg

Fina storage units

Product dimensions

0cm 20 50 100 180

Scale: 1:30

Version: 1.11.2020

Page 4 / 5

Fina lowboard 160

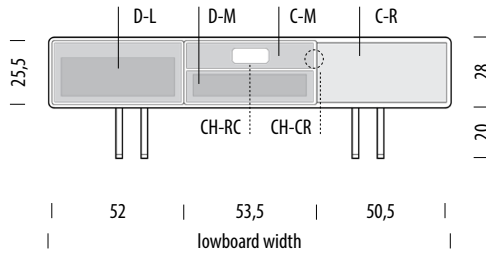
Item no: 19D

Size (cm)

W: 160

D: 45

H: 48



Internal storage

D-L	W: 45	D: 34,5	H: 15
D-M	W: 43	D: 34,5	H: 8
C-M	W: 51	D: 41	H: 9
C-R	W: 51	D: 41	H: 23,5

Cable hole

CH-RC	W: 14	H: 5
CH-CR	W: Ø5	

Packaging

W: 163 D: 54 H: 33

Net weight

53 kg

Gross weight

58 kg

Fina lowboard 200

Item no: 066

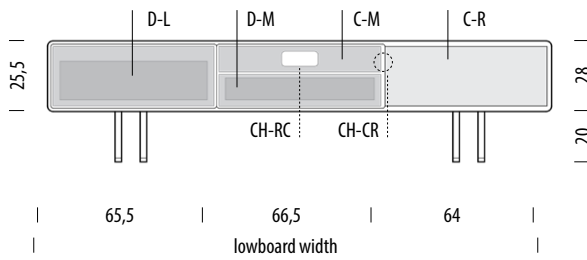
Size (cm)

Size (cm)

W: 200

D: 45

H: 48



Internal storage

D-L	W: 58	D: 34,5	H: 15
D-M	W: 58	D: 34,5	H: 8
C-M	W: 64	D: 41	H: 9
C-R	W: 64	D: 41	H: 23,5

Cable hole

CH-RC	W: 14	H: 5
CH-CR	W: Ø5	

Packaging

W: 206 D: 50 H: 32

Net weight

53,8 kg

Gross weight

58,6 kg

Fina drawer 60

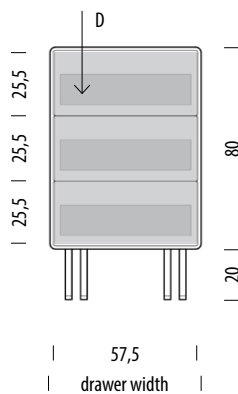
Item no: 067

Size (cm)

W: 60

D: 45

H: 100



Internal storage

D (each)	W: 51,5	D: 34,5	H: 12
----------	---------	---------	-------

Packaging

W: 64 D: 50 H: 84

Net weight

37,5 kg

Gross weight

40,7 kg

Fina storage units

Product dimensions

0cm 20 50 100 180

Scale: 1:30

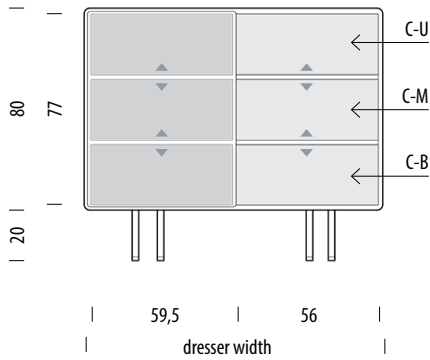
Version: 1.11.2020

Page 5 / 5

Fina dresser 118 - with door

Item no: 19F

Size (cm) W: 118 D: 45 H: 100



Internal storage

C-U (each)	W: 56	D: 41	H: 21-27
C-M (each)	W: 56	D: 41	H: 17-31
C-B (each)	W: 56	D: 41	H: 21-27

Packaging

W: 121 D: 54 H: 85

Net weight

74 kg

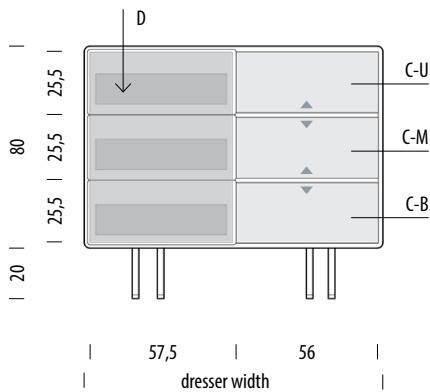
Gross weight

80 kg

Fina dresser 118 - with drawers

Item no: 1A0

Size (cm) W: 118 D: 45 H: 100



Internal storage

D (each)	W: 51,5	D: 34,5	H: 12
C-U	W: 56	D: 41	H: 21-27
C-M	W: 56	D: 41	H: 17-31
C-B	W: 56	D: 41	H: 21-27

Packaging

W: 121 D: 54 H: 85

Net weight

74 kg

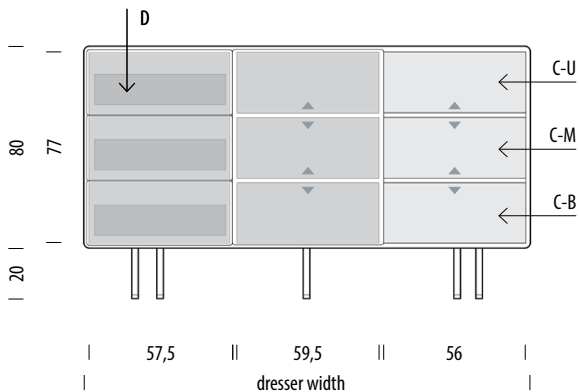
Gross weight

80 kg

Fina dresser 176

Item no: 19E

Size (cm) W: 176 D: 45 H: 100



Internal storage

D (each)	W: 51,5	D: 34,5	H: 12
C-U (each)	W: 56	D: 41	H: 21-27
C-M (each)	W: 56	D: 41	H: 17-31
C-B (each)	W: 56	D: 41	H: 21-27

Packaging

W: 179 D: 54 H: 85

Net weight

80 kg

Gross weight

85 kg