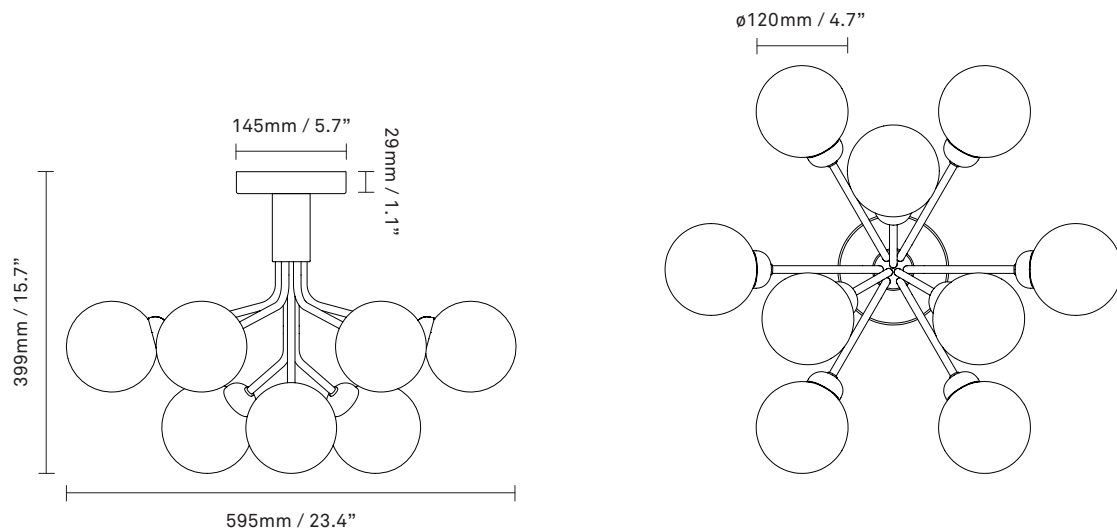


# NUURA



**APIALES 9 CEILING**  
**brushed brass / optic gold**

Design: Sofie Refer, 2019



**Apiales 9 Ceiling** is a semi-flush mount chandelier by Nuura. Inspired by wildflowers, the design of this chandelier is supported by a single stem from which 9 metal arms in brushed brass grow like flower stalks and unfold into flower buds in optic glass, creating a flower-shaped silhouette.

**Product no.:** EU - 2059005 / US - 3059005

**Certifications:** CE, ETL, IP20, Class I

**Type:** Ceiling light - indoor

**For information about IP ratings, click [here](#)**

**Colour:** Glass: optic gold / Metal: brushed brass

**Cleaning:** Use a soft dry cloth to clean the product.  
Do not use household cleaners.

**Materials:** Anodized metal, mouth-blown glass

**Dimensions:** W: 595mm / 23.4in x H: 399mm / 15.7in  
Ceiling plate: D145 mm / 5.7in  
Glass:  $\varnothing$ 120mm / 4.7in

**Light source:** Socket: G9  
Max wattage: 5W LED  
Voltage (V): 220-240V / 120V

**Weight:** Armature + glass: 3990 g

**Packaging:** Dimensions: L: 515mm x W: 515mm x H: 465mm  
Weight: 2686 g  
Total weight incl. product: 6676 g  
Number of parcels: 1  
Material: Brown cardboard.

**Light source not included**

**Dimmable if installed with appropriate dimmable LED light source(s) suitable for your dimmer circuit.**

Light source can be added to delivery on request or via our webshop .

Works with appropriate lighting control module. Module can be added to delivery on request.