

# Look mirror

## Technical information sheet



### Basic info

---

**Design** Mustafa Čohadžić

**Item no. Size (cm)**

123 W: Ø22, D: 3,5

124 W: Ø27, D: 4

125 W: Ø32, D: 4,5

**Base** Solid oak

### Technical features

---

#### Wooden base

The solid oak wooden base in three sizes is made with a woodturning lathe technology. It has a metal insert from the backside for an easy mounting on a wall (hanger bolt and plastic dowel needed for mounting are also included).

#### Finish

The wooden base is available in plant-based Hardwax oil finish (white oil color), which retains wood natural state.

#### Mirror glass

CNC edged and 4 mm thick round mirror glass is glued and precisely positioned on a wooden base, intentionally creating the little gap between mirror glass and wooden base edge.

#### Cleaning

Please see Product or Material page on our website.

# Look mirror

## Available materials and colors

### Wood material

---

#### Solid oak



White oil

### Notes to consider

---

The dimensions shown in this document are indicative, they may vary due to the natural properties of wood, season, or manufacturing processes, for these reasons deviations from the specified size may occur, usually no more than 1 cm.

Natural variations in wood color and surface may occur. Regular maintenance will ensure the wood preserves its authentic beauty and can last for generations.

For all additional inquiries regarding the Look mirror please feel free to contact us.

# Look mirror

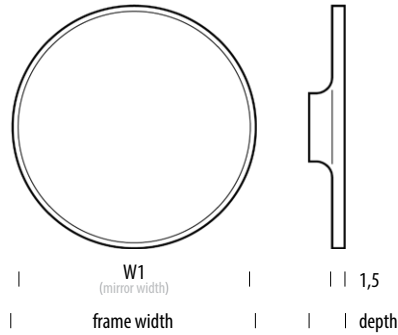
## Product dimensions

0cm 10 30 60

Scale: 1:10

Version: 2.12.2020

Page 3 / 3



<b>Look mirror Ø22</b>	<b>Size (cm)</b>		
Item no: 123	W: Ø22	D: 3,5	H: Ø22

<b>Product dimensions</b>	W1: 20		
<b>Packaging</b>	W: 23,3	D: 6,7	H: 23,3
<b>Net weight</b>	0,7 kg		
<b>Gross weight</b>	1 kg		

<b>Look mirror Ø27</b>	<b>Size (cm)</b>		
Item no: 124	W: Ø27	D: 4	H: Ø27

<b>Product dimensions</b>	W1: 25		
<b>Packaging</b>	W: 28,3	D: 7,2	H: 28,3
<b>Net weight</b>	1 kg		
<b>Gross weight</b>	1,3 kg		

<b>Look mirror Ø32</b>	<b>Size (cm)</b>		
Item no: 125	W: Ø32	D: 4,5	H: Ø32

<b>Product dimensions</b>	W1: 30		
<b>Packaging</b>	W: 33,3	D: 7,7	H: 33,3
<b>Net weight</b>	1,6 kg		
<b>Gross weight</b>	1,9 kg		