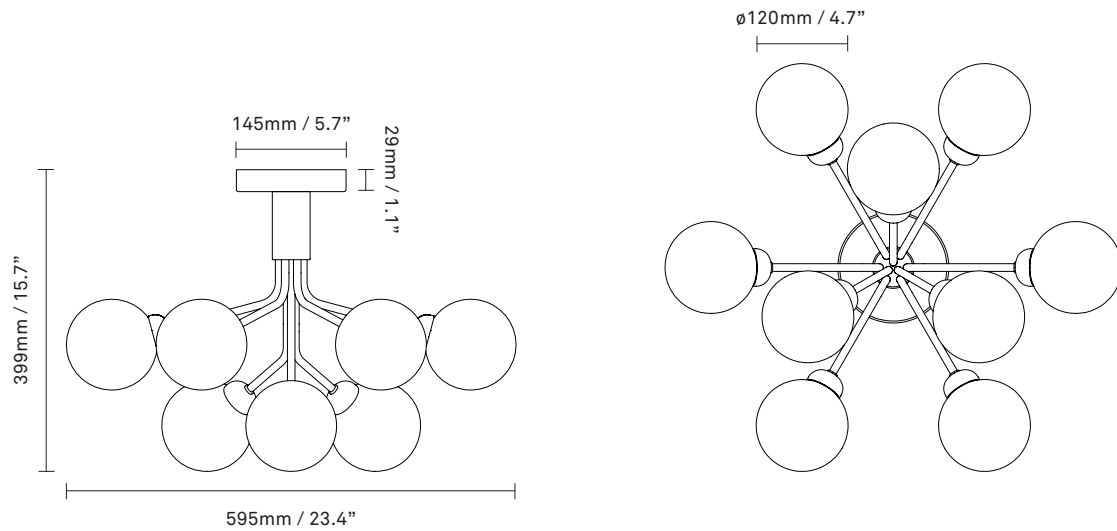


NUURA



APIALES 9 CEILING
brushed brass / optic gold

Design: Sofie Refer, 2019



Apiales 9 Ceiling is a semi-flush mount chandelier by Nuura. Inspired by wildflowers, the design of this chandelier is supported by a single stem from which 9 metal arms in brushed brass grow like flower stalks and unfold into flower buds in optic glass, creating a flower-shaped silhouette.

Product no.: EU - 2059005 / US - 3059005

Certifications: CE, ETL, IP20, Class I

Type: Ceiling light - indoor

For information about IP ratings, click [here](#)

Colour: Glass: optic gold / Metal: brushed brass

Cleaning: Use a soft dry cloth to clean the product.
Do not use household cleaners.

Materials: Anodized metal, mouth-blown glass

Dimensions: W: 595mm / 23.4in x H: 399mm / 15.7in
Ceiling plate: D145 mm / 5.7in
Glass: \varnothing 120mm / 4.7in

Light source: Socket: G9
Max wattage: 5W LED
Voltage (V): 220-240V / 120V

Weight: Armature + glass: 3990 g

Packaging: Dimensions: L: 515mm x W: 515mm x H: 465mm
Weight: 2686 g
Total weight incl. product: 6676 g
Number of parcels: 1
Material: Brown cardboard.

Light source not included

Dimmable if installed with appropriate dimmable LED light source(s) suitable for your dimmer circuit.

Light source can be added to delivery on request or via our webshop .

Works with appropriate lighting control module. Module can be added to delivery on request.